

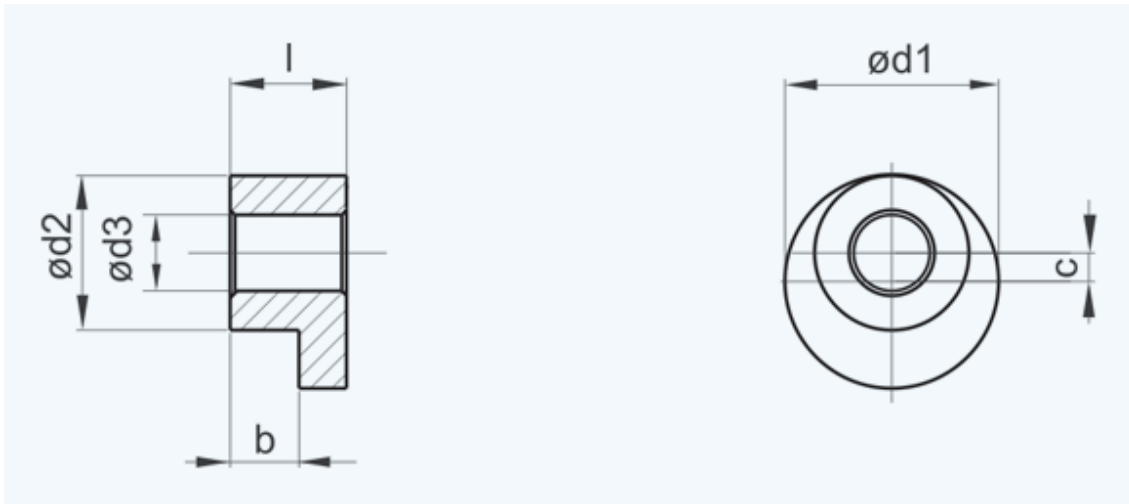


## Servo clamps

Servo clamps are for mounting an encoder using the surrounding servo groove. Three servo clamps are required to mount the encoder. The servo clamps will be fixed from the back side of the encoder. This allows easy adjustment by rotation of the encoder after fixing the shaft.

Technical data

Outline drawing



### Dimensions

Typ	SK 7/3/2	SK 12/4/3	SK 12/4/2
$\varnothing d1$	7	12	12
$\varnothing d2$	5,4	9	9
$\varnothing d3$	2,8	4,2	4,2
$l$	4,4 -0,1	5,5	5,5
$b$	2,4 -0,1	2,8	2,2
$c$	0,9	1,5	1,5

INDUcoder® · INDUcoder Messtechnik GmbH, Kaiserstraße 316, 47178 Duisburg, Deutschland  
Tel: (0203) 57047-0, Fax: (0203) 57047-20, E-Mail: [info@inducoder.de](mailto:info@inducoder.de), Internet: [www.inducoder.de](http://www.inducoder.de)