



Stainless steel housing
Solid mechanical construction
Protection to IP 65, IP 66
SMD technology
Electronic preset



Niro Absolut Encoder NAM 58 / NAMS 58 Profibus / CANopen[®] / Device Net

Optical absolute encoder, Stainless steel housing, package size 58 mm, Single-turn and multi-turn with resolution up to 30 bit

Resolution

Resolution (Steps/360°):

4096 = 12 bit

8192 = 13 bit

65536 = 16 bit

Measuring range

Measuring range

Single-Turn

1 turn

Multi-Turn

4096 Umdrehungen = 12 bit

16384 Umdrehungen = 14 bit

Type explanation

NAM 58-30B-30-PB

Stainless steel housing	Yes
Encoder type	Absolute
Flange type	Servo- / Klemmflansch
Flange diameter	ø 58 mm
Case diameter	ø 58 mm
Number of bits	12 = 12 bits x 1 turn 13 = 13 bits x 1 turn 16 = 16 bits x 1 turn 24 = 12 bits x 4096 turns 25 = 13 bits x 4096 turns 28 = 16 bits x 4096 turns 26 = 12 bits x 16384 turns 27 = 13 bits x 16384 turns 30 = 16 bits x 16384 turns
Single-turn	Yes
Multi-turn	Yes
Electronic adjustment	Yes
Supply voltage	30 = 10..30 VDC
Interface	PB = Profibus CO = CANopen® DN = Device Net
Shaft diameter	ø 10 mm

Technical data

Mechanical data

Rotational speed	≤ 12000 min ⁻¹ (Single-turn) ≤ 6000 min ⁻¹ (Multi-turn)
Torque	≤ 3 Ncm
Moment of inertia	30 g cm ²
Loading of bearings	110 N radial 40 N axial
Operational life of ball bearings	> 2 x 10 ⁵ h (1000 min ⁻¹ , NAMS58) > 1 x 10 ⁵ h (1000 min ⁻¹ , NAMS58)
Weight	≤ 1,2 kg

Environmental conditions

Vibration	100 m/s ² (10 ... 1000 Hz)
Shock	300 m/s ² (11 ms)
Operating temperature	-40 ... +85°C
Storage temperature	-40 ... +85°C
Atmospheric humidity	≤ 98% r.h.
Protection class	IP 65 (DIN 40050/IEC 144) IP 66 (optional)

Electrical data

Scanning type	Optical, without contact
Transmitter, infrared	LED
Receiver	Photo-Array
Scanning frequency LSB	800 kHz
Measurement accuracy	±½ LSB (12 bit) ± 1 LSB (13 bit) ± 2 LSB (16 bit)
Supply voltage	V _{cc} = 10...30 VDC
Power consumption	≤ 100 mA (V _{cc} = 24 V)

Electrical connections

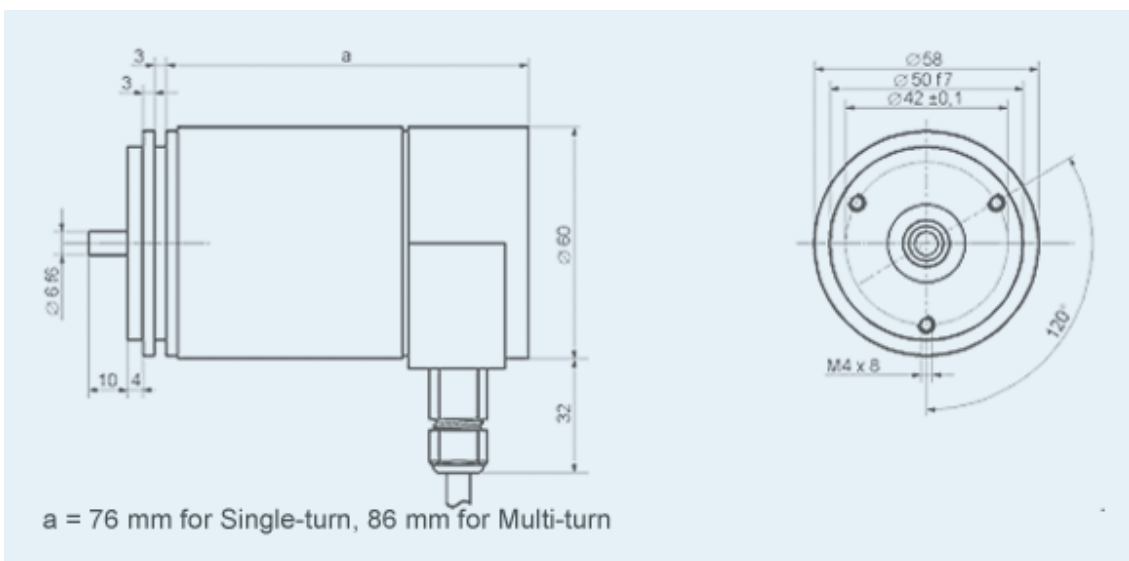
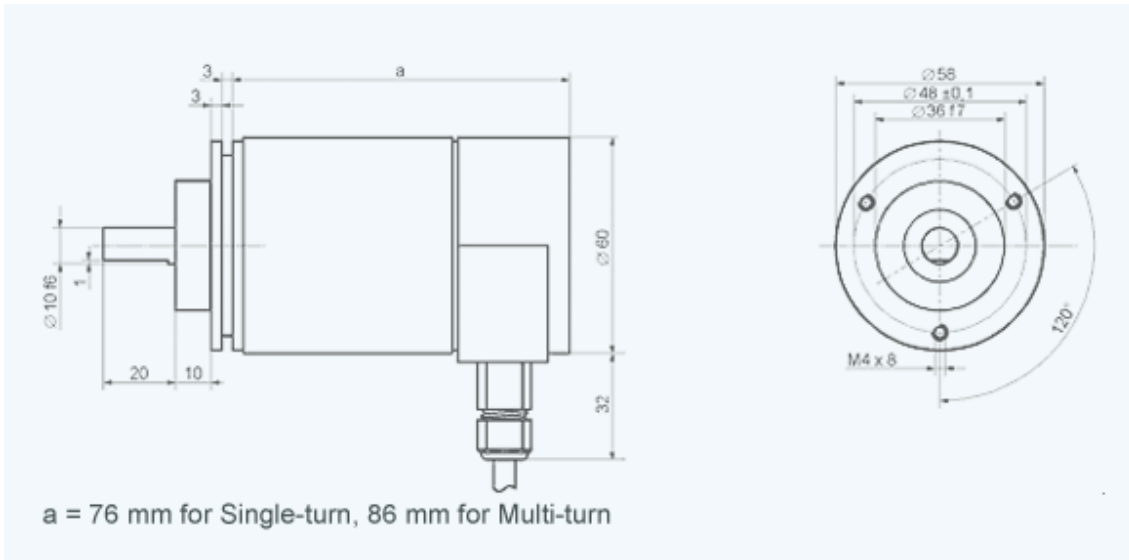
Profibus

Interface	RS485 with optocoupler
Clock	max. 12 MBaud

Device Net

Interface	CAN Transceiver ISO/DIS 11898
Clock	125, 250, 500 kBaud

Outline drawing



Version NE 664-311 · Subject to change

INDUcoder® · INDUcoder Messtechnik GmbH, Kaiserstraße 316, 47178 Duisburg, Deutschland
Tel: (0203) 57047-0, Fax: (0203) 57047-20, E-Mail: info@inducoder.de, Internet: www.inducoder.de