



Very compact design, aluminium case with sealed ball bearings, protection IP 65  
 Flexible stainless steel cable Ø 0.5 mm  
 Strong spring mechanics  
 Precision cable drum  
 With MINI ENCODER ES 28



## Mini Weggeber WES 428

Linear Motion Transducer for 1000 mm range with Incremental Encoder ES 28 of high protection IP 65

### Used encoder

**Used encoder**  
 Mini Encoder ES 28

### Type explanation

#### WES 428-10-10/ES28-6-1500-05-D-R

Measuring range	=
Encoder type	Incremental
Case diameter	ø 44 mm
Number of channels	3 = A + B + M 6 = AA + BB + MM
Supply voltage	05 = 5 VDC ± 5% 12 = 12 VDC ± 10% 24 = 24 VDC ± 10%
Output driver	D-RS422 C R
Position of connection	R

## Technical data

### Mechanical data

Acceleration of cable	$\leq 500 \text{ ms}^{-2}$
Side movement of cable	$\leq 3^\circ$
Weight	$\leq 0,3 \text{ kg}$

### Environmental conditions

Operating temperature	$-10 \dots +70^\circ\text{C}$
Storage temperature	$-30 \dots +80^\circ\text{C}$
Atmospheric humidity	$\leq 85\% \text{ r.h.}$
Protection class	IP 65

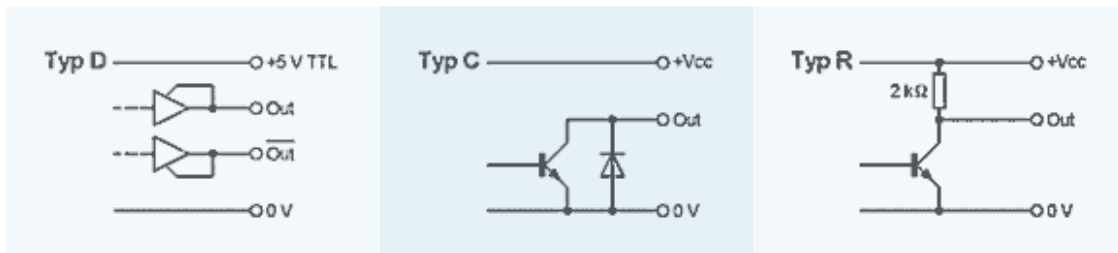
### Electrical data

Scanning type	Optical, without contact
Transmitter, infrared	LED
Receiver	Photo-Transistor
Supply voltage	$V_{cc} = 5 \text{ VDC} \pm 5\%$ $V_{cc} = 12 \text{ VDC} \pm 10\%$ $V_{cc} = 24 \text{ VDC} \pm 10\%$
Power consumption	80 mA typ.
Output frequency	$\leq 150 \text{ kHz}$
Signal level	High $> V_{cc} - 1 \text{ V}$ Low $< 0,5 \text{ V (20 mA)}$
Load capacity of the outputs	20 mA
Dielectric strength of outputs	+50 V

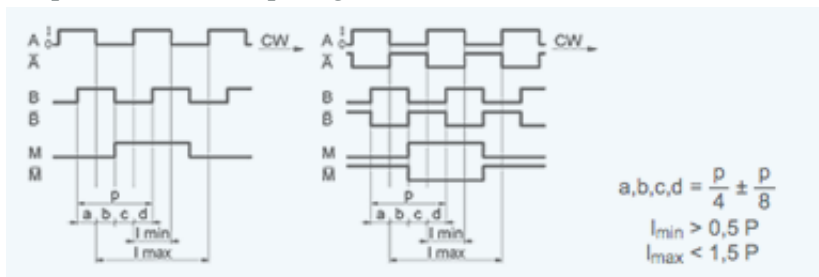
Cable	
Wire colour	Signal
Red	0 V GND
Black	A
Green	B
White	M
Yellow	N.C.

Cable	
Wire colour	Signal
Red	0 V GND
Black	A+
Green	B+
White	M+
Yellow	N.C.
Shield	Blue
Blue	A-
Grey	B-
Orange	M-

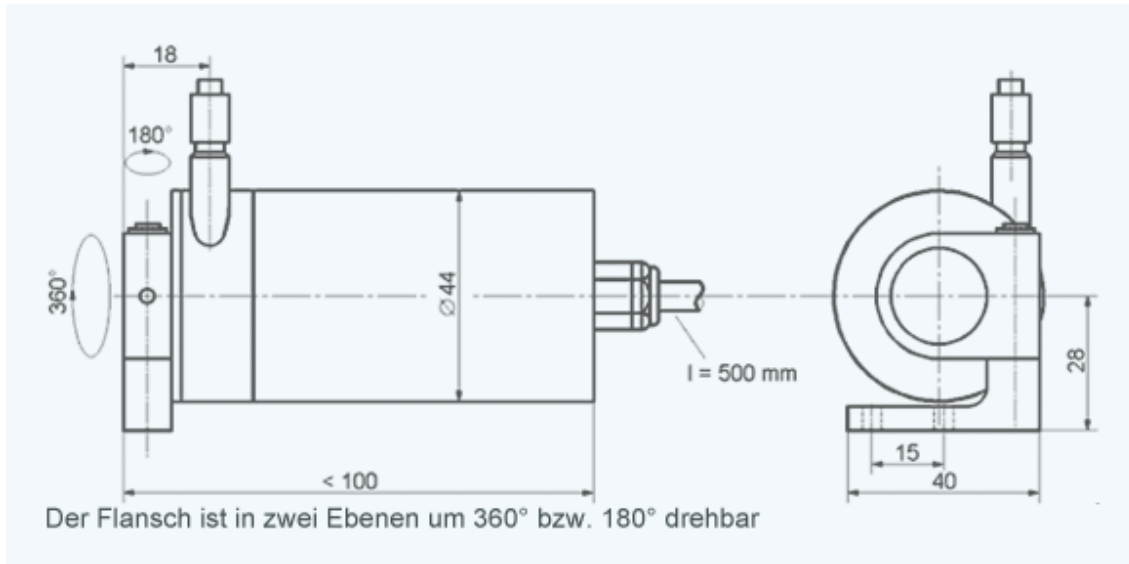
### Output driver



### Output channels / Output signals



## Outline drawing



Version ZE 604-810 · Subject to change

INDUcoder® · INDUcoder Messtechnik GmbH, Kaiserstraße 316, 47178 Duisburg, Deutschland  
Tel: (0203) 57047-0, Fax: (0203) 57047-20, E-Mail: [info@inducoder.de](mailto:info@inducoder.de), Internet: [www.inducoder.de](http://www.inducoder.de)