



Mini Encoder ED 26

Optical incremental encoder
every resolution up to 2500 pulses per revolution
Small and efficient

Resolution

Every resolution from (Pulses/Revolution):

1 - 2500

Type explanation

ED 26-3-2500-30-P-RC07

Encoder type	Incremental
Flange diameter	ø 26 mm
Case diameter	ø 26 mm
Number of channels	3 = A + B + M 6 = AA + BB + MM
Supply voltage	05 = 5 VDC ± 5% 30 = 10 ... 30 VDC
Output driver	D-RS422 P
Position of connection	R S
Connector	C07 = 7 pins Binder C12 = 12 pins M23
Shaft diameter	ø 4 mm

Technical data

Mechanical data

Rotational speed	$\leq 10000 \text{ min}^{-1}$
Torque	$\leq 0,2 \text{ Ncm}$
Moment of inertia	2 g cm^2
shaft loading	$\leq 20 \text{ N radial}$ $\leq 10 \text{ N axial}$
Angular acceleration	$\leq 10^5 \text{ rad/sec}^2$
Weight	$\leq 0,04 \text{ kg}$

Environmental conditions

Vibration	100 ms^{-2} (20 .. 2000 Hz)
Shock	1000 ms^{-2} (11 ms)
Operating temperature	0 ... +80°C
Storage temperature	-30 ... +80°C
Atmospheric humidity	$\leq 85\% \text{ r.h.}$
Protection class	IP 54

Electrical data

Scanning type	Optical, without contact
Transmitter, infrared	LED
Receiver	Photo-Array
Supply voltage	$V_{cc} = 5 \text{ VDC} \pm 5\%$ $V_{cc} = 10 \dots 30 \text{ VDC}$
Power consumption	100 mA max.
Output frequency	$\leq 300 \text{ kHz}$ (Output D) $\leq 160 \text{ kHz}$ (Output P)
Signal level	High $> V_{cc} - 2 \text{ V}$ Low $< 0,5 \text{ V}$
Load capacity of the outputs	20 mA

Cable 3 channels

Wire colour	Signal
Brown	+Vcc
Grey	0 V GND
Green	Signal A
White	Signal B
Yellow	Signal M
Shield	N.C.

Cable 6 channels

Wire colour	Signal
Brown/Green	+Vcc
White/Green	0 V GND
Brown	Signal A+
Green	Signal A-
Grey	Signal B+
Pink	Signal B-
Red	Signal M+
Black	Signal M-
Shield	N.C.

Connector 7 pins Binder

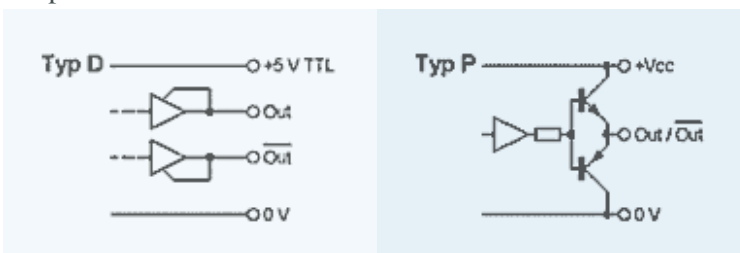
Connection	Signal
Pin 1	0 V GND
Pin 2	N.C.
Pin 3	Signal A
Pin 4	Signal B
Pin 5	+Vcc
Pin 6	Signal M
Pin 7	Shield

Connector 12 pins Binder

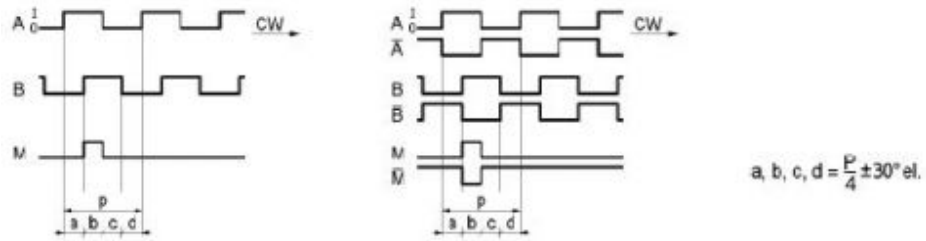
Connection	Signal
Pin A	+Vcc
Pin B	+Vcc Sense ¹⁾
Pin C	0 V GND
Pin D	0 V Sense
Pin E	N.C.
Pin F	Signal A-
Pin G	Signal A+
Pin H	N.C.
Pin J	Signal B+
Pin K	Signal B-
Pin L	Signal M+
Pin M	Signal M-

1) nur bei Vcc = 5 VDC TTL

Output driver

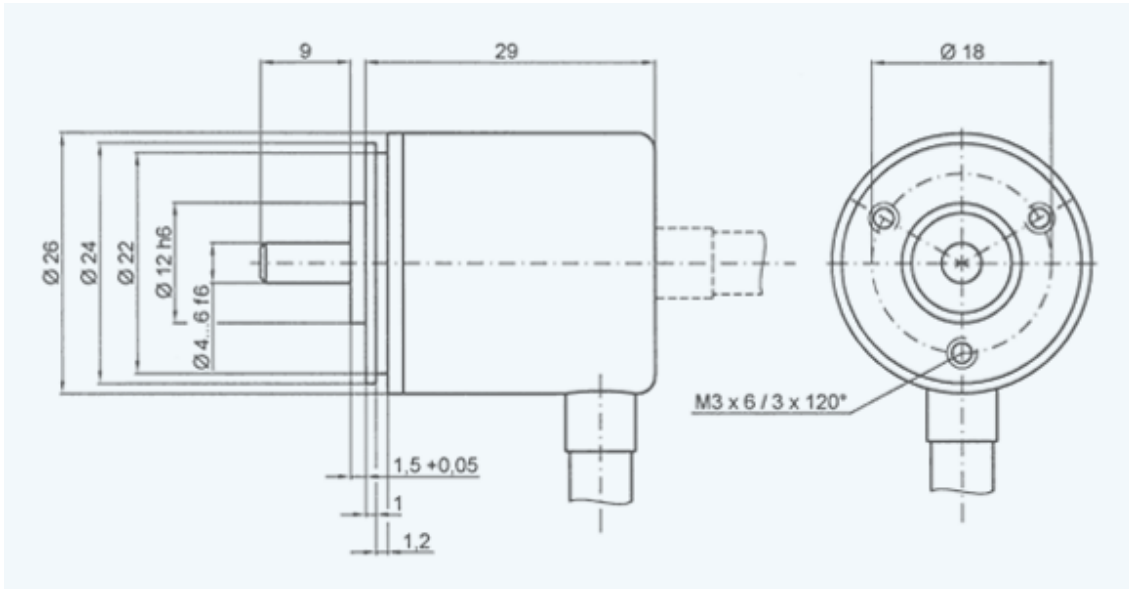


Output channels / Output signals



E6/2:211
Änderungen vorbehalten / Soumis aux changements / Subject to change

Outline drawing



Version E 527-211 · Subject to change

INDUcoder® · INDUcoder Messtechnik GmbH, Kaiserstraße 316, 47178 Duisburg, Deutschland
Tel: (0203) 57047-0, Fax: (0203) 57047-20, E-Mail: info@inducoder.de, Internet: www.inducoder.de