

## Measuring Wheel 500 mm knurled MR500PR

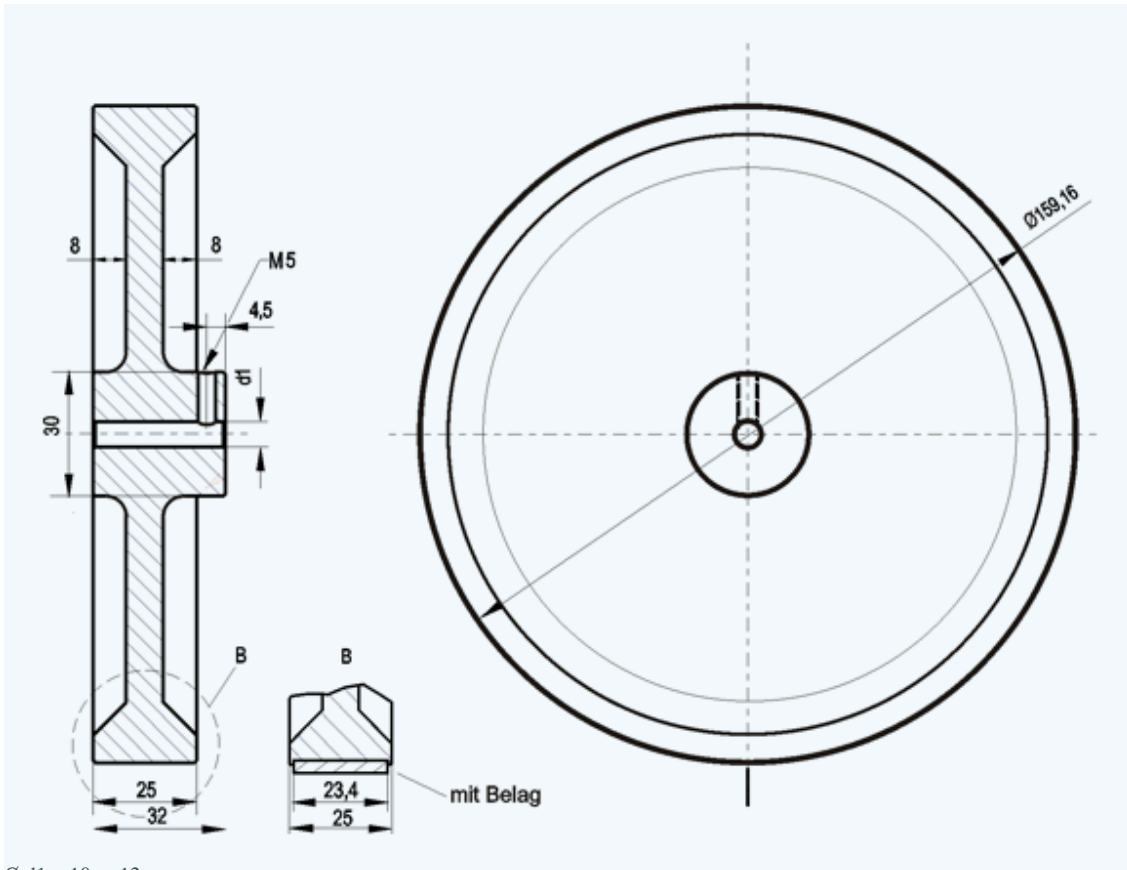
Measuring wheel made of aluminum with knurled polyurethane coating for length measurement of different materials, very smooth running characteristics, high measurement accuracy, optimized design for low weight.

This measuring wheel is especially suitable for ungreased metals, painted surfaces, plastics, paper, cardboard, wood, textiles, glass and floor coverings.

## Technical data

Circumference	500 ±1 mm
Material core	Aluminium
Material contact surface	Polyurethan
Structure contact surface	genoppt / knurled
Moment of inertia	22600 gcm <sup>2</sup>
Weight	700 g

## Outline drawing



$\varnothing d1 = 10$  or  $12$  mm