



Measuring Wheel 500 mm smooth MR500PG

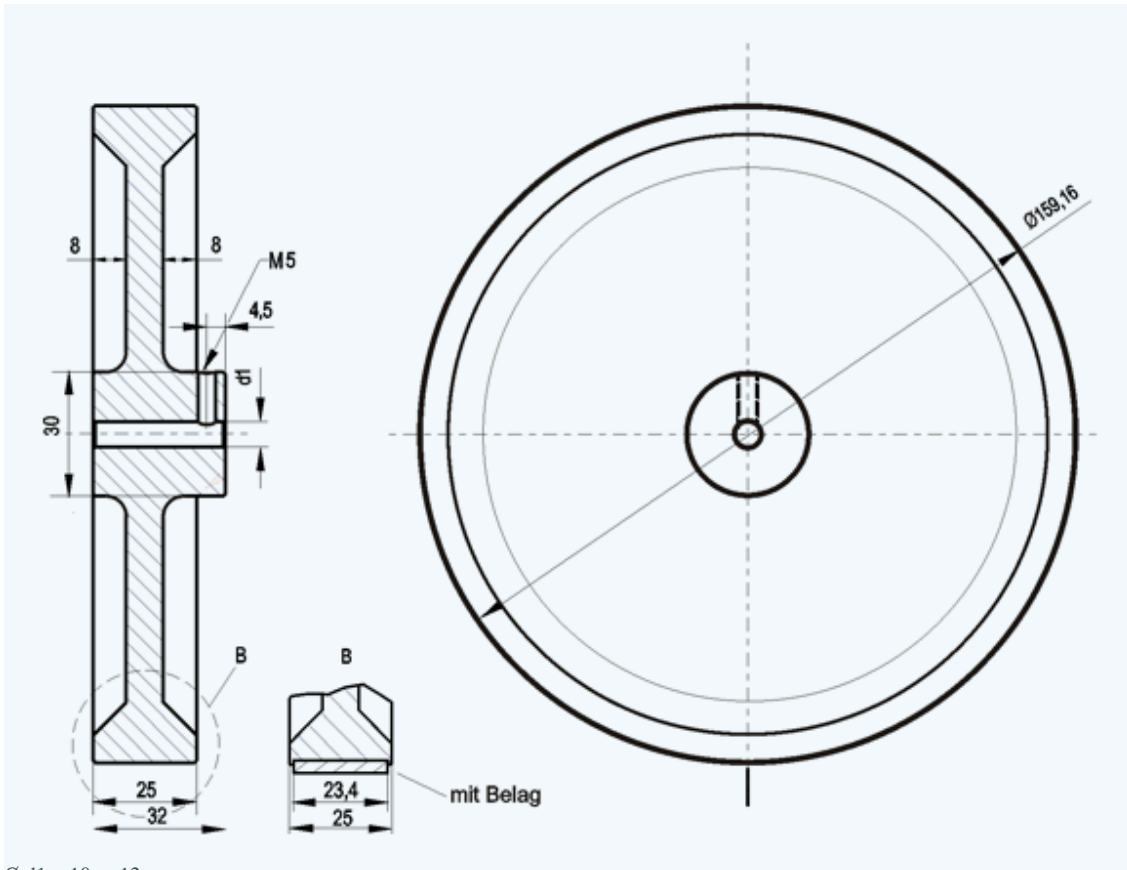
Measuring wheel made of aluminum with smooth polyurethane coating for length measurement of different materials, very smooth running characteristics, high measurement accuracy, optimized design for low weight.

This measuring wheel is especially suitable for greased metals, steel profiles, painted surfaces, plastics, paper, cardboard, wood, textiles, wire and leather.

Technical data

Circumference	500 ±1 mm
Material core	Aluminium
Material contact surface	Polyurethan
Structure contact surface	glatt / <i>smooth</i>
Moment of inertia	21600 gcm ²
Weight	700 g

Outline drawing



$\varnothing d1 = 10$ or 12 mm