



Measuring Wheel 200 mm burled MR200PN

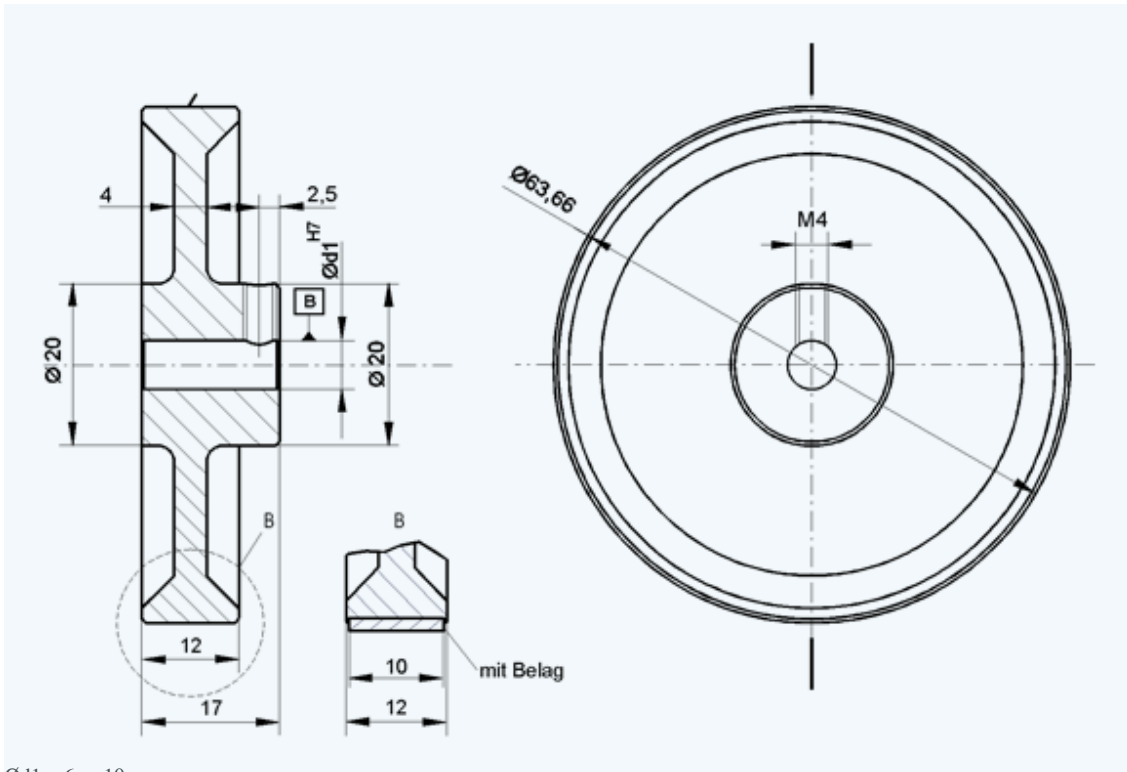
Measuring wheel made of aluminum with nubby polyurethane coating for length measurement of different materials, very smooth running characteristics, high measurement accuracy, optimized design for low weight.

This measuring wheel is especially suitable for coarse textiles, carpet, cable measurement, non-woven, paper, cardboard, wood and plastics.

Technical data

Circumference	200 ±0,2 mm
Material core	Aluminium
Material contact surface	Polyurethan
Structure contact surface	genoppt
Moment of inertia	310 gcm ²
Weight	60 g

Outline drawing



$\text{Ø}d1 = 6 \text{ or } 10 \text{ mm}$