



Measuring Wheel 200 mm knurled aluminium MR200AK

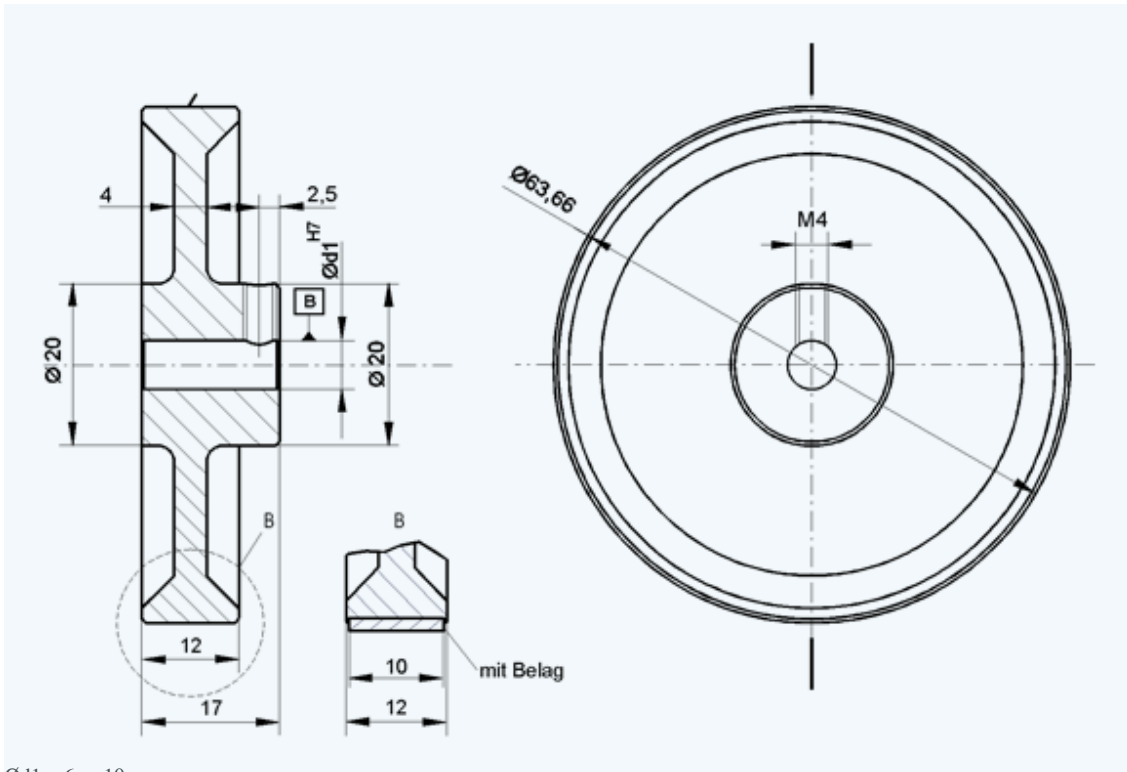
Measuring wheel made of aluminum with knurled metal surface for length measurement of different materials, very smooth running characteristics, high measurement accuracy, optimized design for low weight.

This measuring wheel is especially suitable for cardboard, wood, textiles, rubber and soft plastic.

Technical data

Circumference	200 ±0,2 mm
Material core	Aluminium
Material contact surface	Polyurethan
Structure contact surface	Kreuzrändel / <i>knurled</i>
Moment of inertia	310 gcm ²
Weight	60 g

Outline drawing



$\varnothing d1 = 6$ or 10 mm