



## Technical data

### Mechanical data

Graduation	0 - 100
Rotational speed	$\leq 600 \text{ min}^{-1}$
Torque	3 ... 6 Ncm
shaft loading	20 N radial 10 N axial
Weight	0,2 kg

### Environmental conditions

Vibration	$150 \text{ ms}^{-2}$ (55 Hz / 2h)
Shock	$490 \text{ ms}^{-2}$ (11 ms)
Operating temperature	-10 ... +60°C
Storage temperature	-20 ... +70°C
Atmospheric humidity	$\leq 85\% \text{ r.h.}$

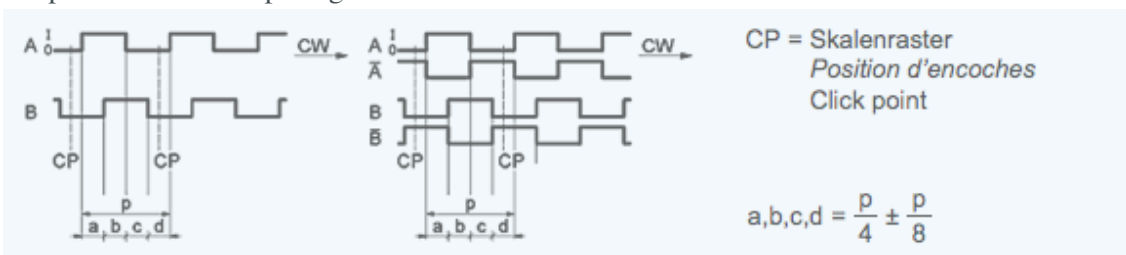
### Electrical data

Scanning type	Optical, without contact
Transmitter, infrared	LED
Receiver	Photo-Transistor
Supply voltage	$V_{cc} = 5 \text{ VDC} \pm 5\%$ , Output D $V_{cc} = 5 \dots 12 \text{ VDC}$ , Output R
Power consumption	60 mA typ.
Signal level	High $> V_{cc} - 1 \text{ V}$ Low $< 0,5 \text{ V}$ (20 mA)
Load capacity of the outputs	20 mA

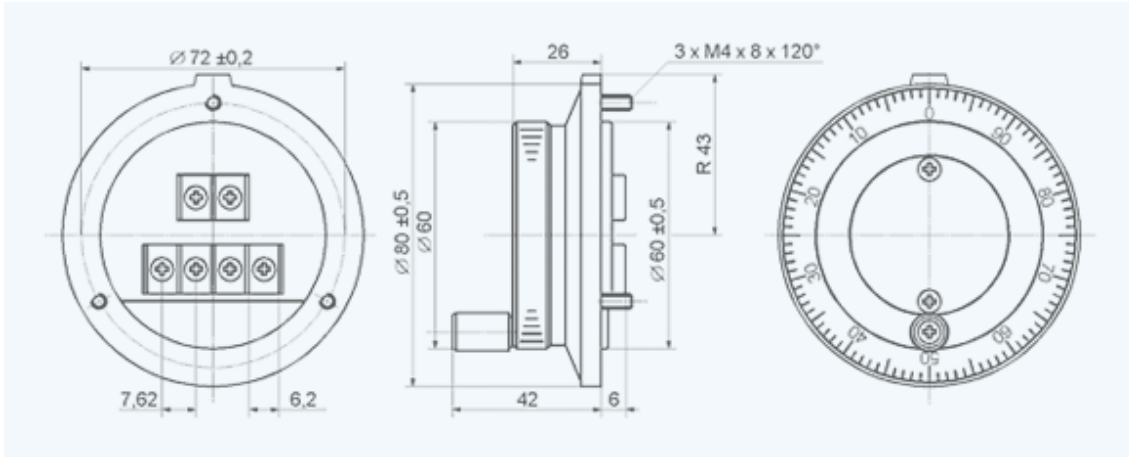
## Output driver



## Output channels / Output signals



## Outline drawing



Version E 511-907 · Subject to change

INDUcoder® · INDUcoder Messtechnik GmbH, Kaiserstraße 316, 47178 Duisburg, Deutschland  
Tel: (0203) 57047-0, Fax: (0203) 57047-20, E-Mail: [info@inducoder.de](mailto:info@inducoder.de), Internet: [www.inducoder.de](http://www.inducoder.de)