



Manual Encoder ESO 60

Manual pulse generator

Resolution

Resolution (Pulses/Revolution):

25	100
----	-----

Type explanation

ESO 60-4-0100-05-D-RK

Encoder type	Incremental
Flange diameter	ø 60 mm
Case diameter	ø 60 mm
Number of channels	2 = A + B 4 = AA + BB
Resolutions	0025 = 25 Impulse pro Umdrehung 0100 = 100 Impulse pro Umdrehung
Supply voltage	05 = 5 VDC ± 5% (Output D) 12 = 5 .. 12 VDC (Output R)
Output driver	D-RS422 R
Position of clamps	RK = Terminal clamps at rear

Technical data

Mechanical data

Graduation	0 - 100
Rotational speed	$\leq 600 \text{ min}^{-1}$
Torque	3 ... 6 Ncm
shaft loading	20 N radial 10 N axial
Weight	0,2 kg

Environmental conditions

Vibration	150 ms^{-2} (11 ms)
Shock	490 ms^{-2} (11 ms)
Operating temperature	$-10^\circ \dots 60^\circ\text{C}$
Storage temperature	$-20^\circ \dots 70^\circ\text{C}$
Atmospheric humidity	$< 85\% \text{ r.h.}$

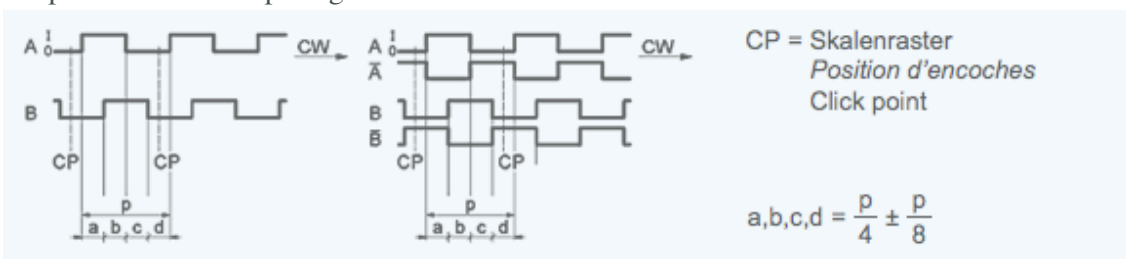
Electrical data

Scanning type	Optical, without contact
Transmitter, infrared	LED
Receiver	Photo-Transistor
Supply voltage	$V_{cc} = 5 \text{ VDC} \pm 5\%$, Output D $V_{cc} = 5 \dots 13,2 \text{ VDC}$, Output R
Power consumption	$\leq 150 \text{ mA}$ (Output D) $\leq 50 \text{ mA}$ (Output R)
Signal level	High $> V_{cc} - 1 \text{ V}$ Low $< 0,5 \text{ V}$ (20 mA)
Output frequency	$\leq 5 \text{ kHz}$
Load capacity of the outputs	20 mA

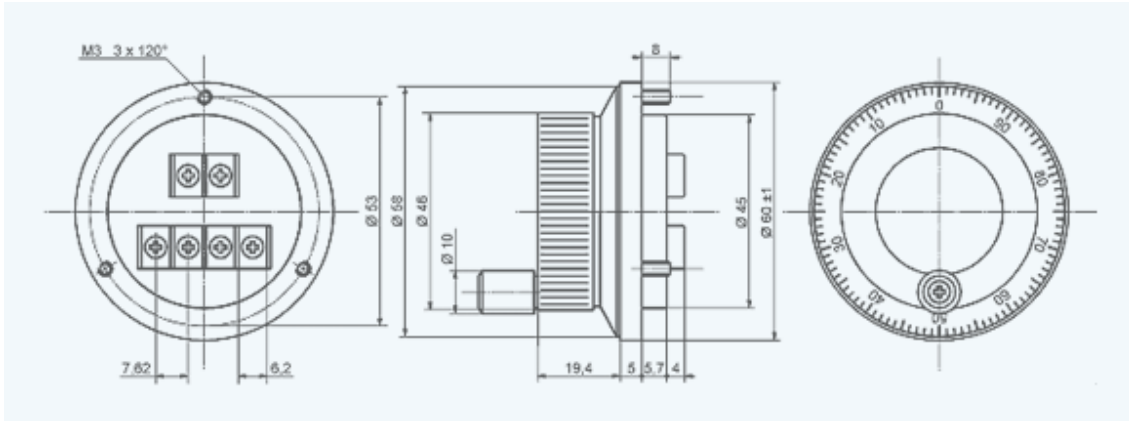
Output driver



Output channels / Output signals



Outline drawing



Version E 514-102 · Subject to change

INDUcoder® · INDUcoder Messtechnik GmbH, Kaiserstraße 316, 47178 Duisburg, Deutschland
Tel: (0203) 57047-0, Fax: (0203) 57047-20, E-Mail: info@inducoder.de, Internet: www.inducoder.de