

Manual Encoder EEM 70

Manual pulse generator with magnetic click-stop, flange with central thread, protection IP 65 at front, resolution up to 10.000 pulses / revolution

Resolution

Resolution (Pulses/Revolution):

1 - 6000	7000	7200	7500
8000	8192	9000	9144
10000			

Type explanation

EEM 70-4-0100-05-D-RK

Encoder type	Incremental
Flange diameter	ø 62 mm
Case diameter	ø 62 mm
Number of channels	2 = A + B 4 = AA + BB
Resolutions	xxxx = Impulse pro Umdrehung
Supply voltage	05 = 5 VDC ± 5% 30 = 10 .. 30 VDC
Output driver	D-RS422 P
Position of clamps	RK = Terminal clamps at rear

Technical data

Mechanical data

	2 Kugellager
Torque	3 ... 20 Ncm
shaft loading	15 N radial 10 N axial
Weight	≤ 0,7 kg

Environmental conditions

Vibration	100 ms ⁻² (20 .. 2000 Hz)
Shock	1000 ms ⁻² (11 ms)
Operating temperature	-0 ... +80°C
Atmospheric humidity	≤ 85% r.h.
Protection class	IP 65 at front IP 50 at rear

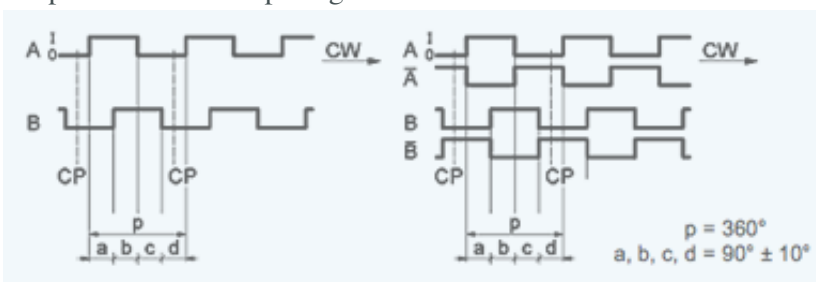
Electrical data

Scanning type	Optical, without contact
Transmitter, infrared	LED
Receiver	Photo-Transistor
Supply voltage	V _{cc} = 5 VDC ±5% V _{cc} = 10...30 VDC
Power consumption	200 mA max.
Output frequency	≤ 300 kHz (Output D) ≤ 160 kHz (Output P)
Signal level	High > V _{cc} - 2 V Low < 0,5 V
Load capacity of the outputs	20 mA

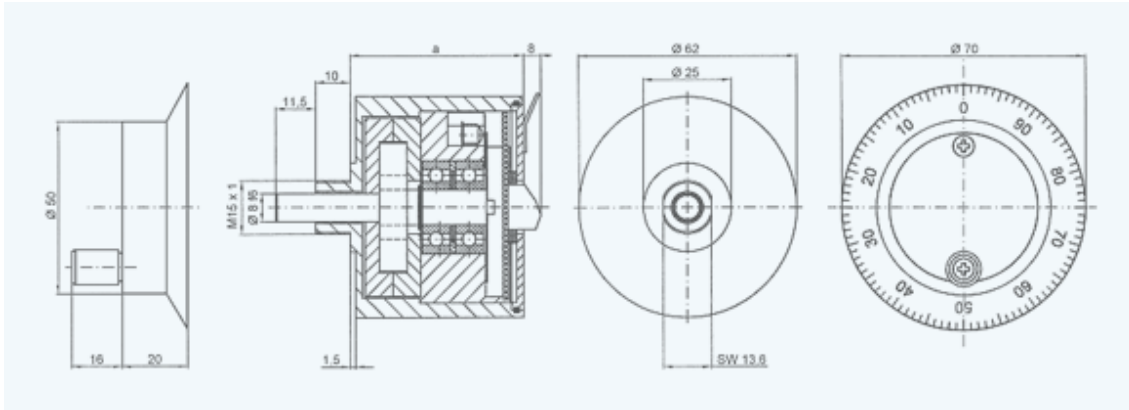
Output driver



Output channels / Output signals



Outline drawing



Version E 530-410 · Subject to change

INDUcoder® · INDUcoder Messtechnik GmbH, Kaiserstraße 316, 47178 Duisburg, Deutschland
Tel: (0203) 57047-0, Fax: (0203) 57047-20, E-Mail: info@inducoder.de, Internet: www.inducoder.de