



Euro Encoder ED 36

Optical incremental encoder
 every resolution up to 3600 pulses / revolution, protection IP 65
 Small and efficient

Resolution

Every resolution from (Pulses/Revolution):

1 - 3600

Type explanation

ED 36-3-2500-30-P-RC07

| | |
|------------------------|--|
| Encoder type | Incremental |
| Flange diameter | ø 36 mm |
| Case diameter | ø 35 mm |
| Number of channels | 3 = A + B + M 6 = AA + BB + MM |
| Resolutions | xxxx = Impulse pro Umdrehung |
| Supply voltage | 05 = 5 VDC ± 5% 30 = 10 ... 30 VDC |
| Output driver | D-RS422 P |
| Position of connection | R S |
| Connector | C07 = 7 pins Binder C12 = 12 pins M23 |
| Shaft diameter | ø 4 mm |

Technical data

Mechanical data

| | |
|----------------------|--|
| Rotational speed | $\leq 10000 \text{ min}^{-1}$ |
| Moment of inertia | 10 g cm^2 |
| shaft loading | $\leq 10 \text{ N radial}$ $\leq 5 \text{ N axial}$ |
| Angular acceleration | $\leq 10^5 \text{ rad/sec}^2$ |
| Weight | $\leq 0,1 \text{ kg}$ |

Environmental conditions

| | |
|-----------------------|---------------------------------------|
| Vibration | 200 ms^{-2} (20 .. 2000 Hz) |
| Shock | 2000 ms^{-2} (11 ms) |
| Operating temperature | 0 ... +80°C |
| Storage temperature | -30 ... +80°C |
| Atmospheric humidity | $\leq 85\% \text{ r.h.}$ |
| Protection class | IP 65 (DIN 40050/IEC 144) |

Electrical data

| | |
|------------------------------|--|
| Scanning type | Optical, without contact |
| Transmitter, infrared | LED |
| Receiver | Photo-Transistor |
| Supply voltage | $V_{cc} = 5 \text{ VDC} \pm 5\%$ $V_{cc} = 10 \dots 30 \text{ VDC}$ |
| Power consumption | 150 mA max. |
| Output frequency | $\leq 300 \text{ kHz}$ (Output D) $\leq 160 \text{ kHz}$ (Output P) |
| Signal level | High $> V_{cc} - 2 \text{ V}$ Low $< 0,5 \text{ V}$ (20 mA) |
| Load capacity of the outputs | 20 mA |

Cable 3 channels

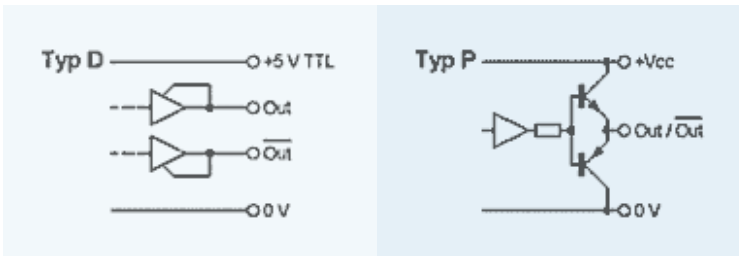
| Wire colour | Signal |
|-------------|----------|
| Brown | +Vcc |
| Grey | 0 V GND |
| Green | Signal A |
| White | Signal B |
| Yellow | Signal M |
| Shield | N.C. |

Cable 6 channels

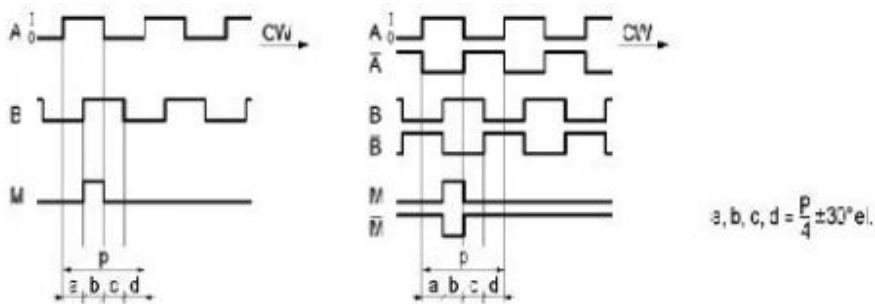
| Wire colour | Signal |
|-------------|--------------------------|
| Brown/Green | +Vcc |
| Blue | +Vcc Sense ¹⁾ |
| White/Green | 0 V GND |
| White | 0 V Sense |
| Brown | Signal A+ |
| Green | Signal A- |
| Grey | Signal B+ |
| Pink | Signal B- |
| Red | Signal M+ |
| Black | Signal M- |
| Shield | N.C. |

1) nur bei Vcc = 5 VDC TTL

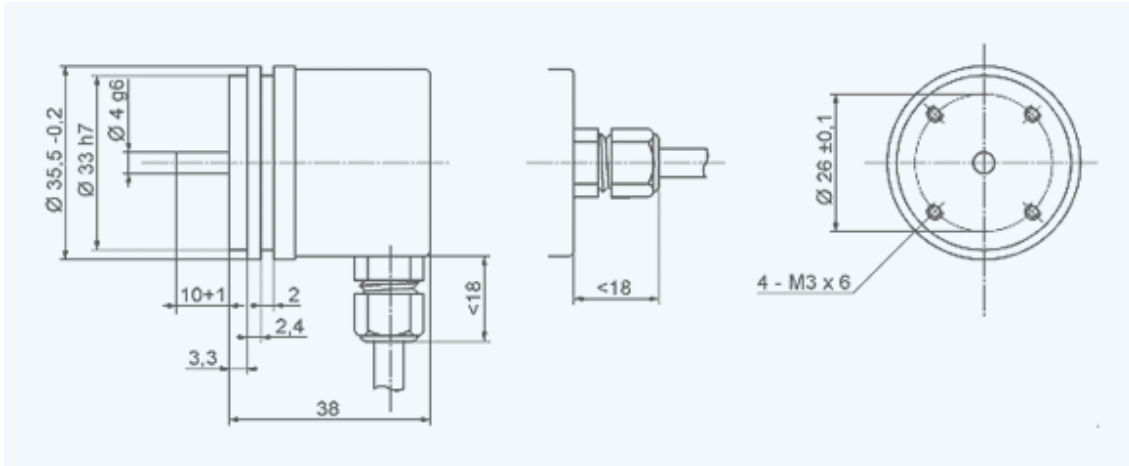
Output driver



Output channels / Output signals



Outline drawing



Version E519-110 · Subject to change

INDUcoder® · INDUcoder Messtechnik GmbH, Kaiserstraße 316, 47178 Duisburg, Deutschland
Tel: (0203) 57047-0, Fax: (0203) 57047-20, E-Mail: info@inducoder.de, Internet: www.inducoder.de