



## Euro Encoder ED 35

Optical incremental encoder, small and efficient

### Resolution

#### Every resolution from (Pulses/Revolution):

1 - 512

### Type explanation

#### ED 35-2-0500-30-P-RC07

Encoder type	Incremental
Flange diameter	ø 35 mm
Case diameter	ø 35 mm
Number of channels	2 = A + B 4 = AA + BB
Resolutions	xxxx = Impulse pro Umdrehung
Supply voltage	05 = 5 VDC ± 5% 30 = 10 ... 30 VDC
Output driver	D-RS422 P
Position of connection	R
Connector	C07 = 7 pins Binder
Shaft diameter	ø 6 mm

## Technical data

### Mechanical data

Rotational speed	$\leq 12000 \text{ min}^{-1}$
Torque	$\leq 1 \text{ Ncm}$
Moment of inertia	$10 \text{ g cm}^2$
shaft loading	$\leq 20 \text{ N radial}$ $\leq 10 \text{ N axial}$
Angular acceleration	$\leq 10^5 \text{ rad/sec}^2$
Weight	$\leq 0,1 \text{ kg}$

### Environmental conditions

Vibration	$100 \text{ ms}^{-2}$ (20 .. 2000 Hz)
Shock	$1000 \text{ ms}^{-2}$ (11 ms)
Operating temperature	0 ... +80°C
Storage temperature	-30 ... +80°C
Atmospheric humidity	$\leq 85\% \text{ r.h.}$
Protection class	IP 54 IP 65 (optional)

### Electrical data

Scanning type	Optical, without contact
Transmitter, infrared	LED
Receiver	Photo-Transistor
Supply voltage	$V_{cc} = 5 \text{ VDC} \pm 5\%$ $V_{cc} = 10 \dots 30 \text{ VDC}$
Power consumption	80 mA typ.
Output frequency	$\leq 300 \text{ kHz}$ (Output D) $\leq 160 \text{ kHz}$ (Output P)
Signal level	High $> V_{cc} - 2 \text{ V}$ Low $< 0,5 \text{ V}$ (20 mA)
Load capacity of the outputs	20 mA

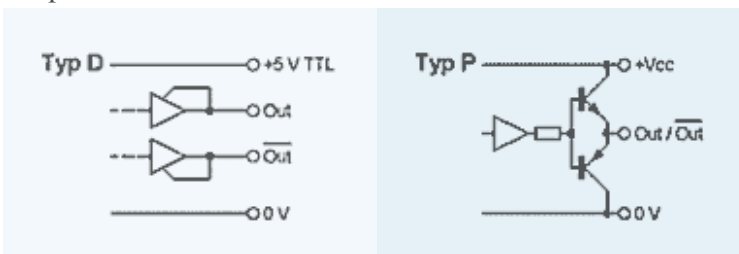
### Table 2 channels

Wire colour	Signal
Brown	+Vcc
Grey	0 V GND
Green	Signal A
White	Signal B
Shield	N.C.

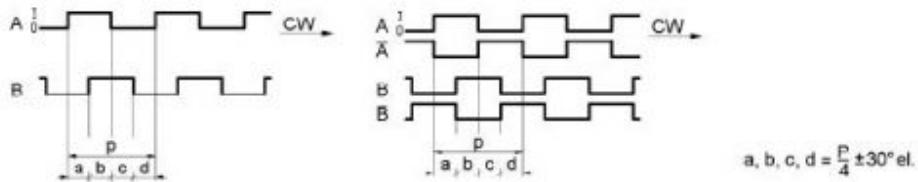
### Table 4 channels

Wire colour	Signal
Brown/Green	+Vcc
White/Green	0 V GND
Brown	Signal A+
Green	Signal A-
Grey	Signal B+
Pink	Signal B-
Shield	N.C.

### Output driver

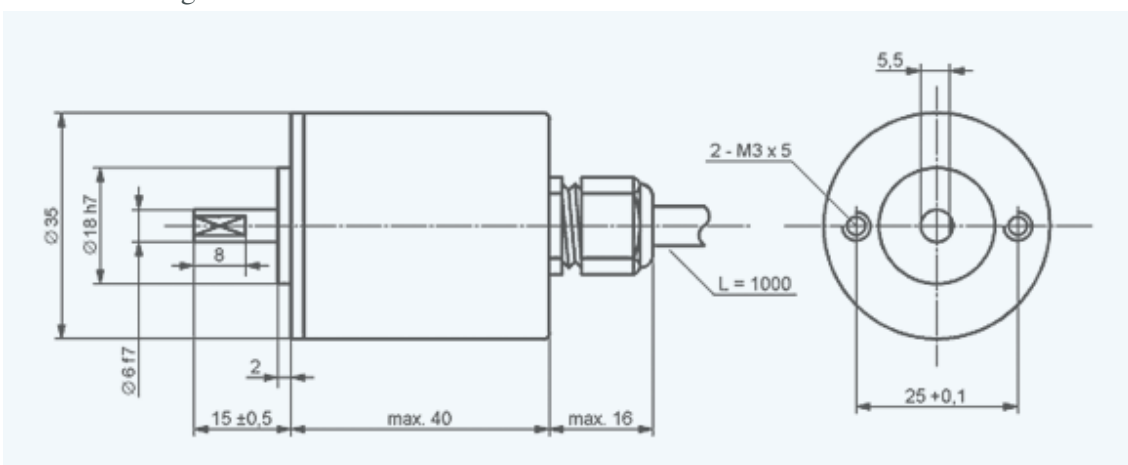


### Output channels / Output signals



E505A-911  
Änderungen vorbehalten / Soumis aux changements / Subject to change

### Outline drawing



INDUcoder® · INDUcoder Messtechnik GmbH, Kaiserstraße 316, 47178 Duisburg, Deutschland  
Tel: (0203) 57047-0, Fax: (0203) 57047-20, E-Mail: [info@inducoder.de](mailto:info@inducoder.de), Internet: [www.inducoder.de](http://www.inducoder.de)