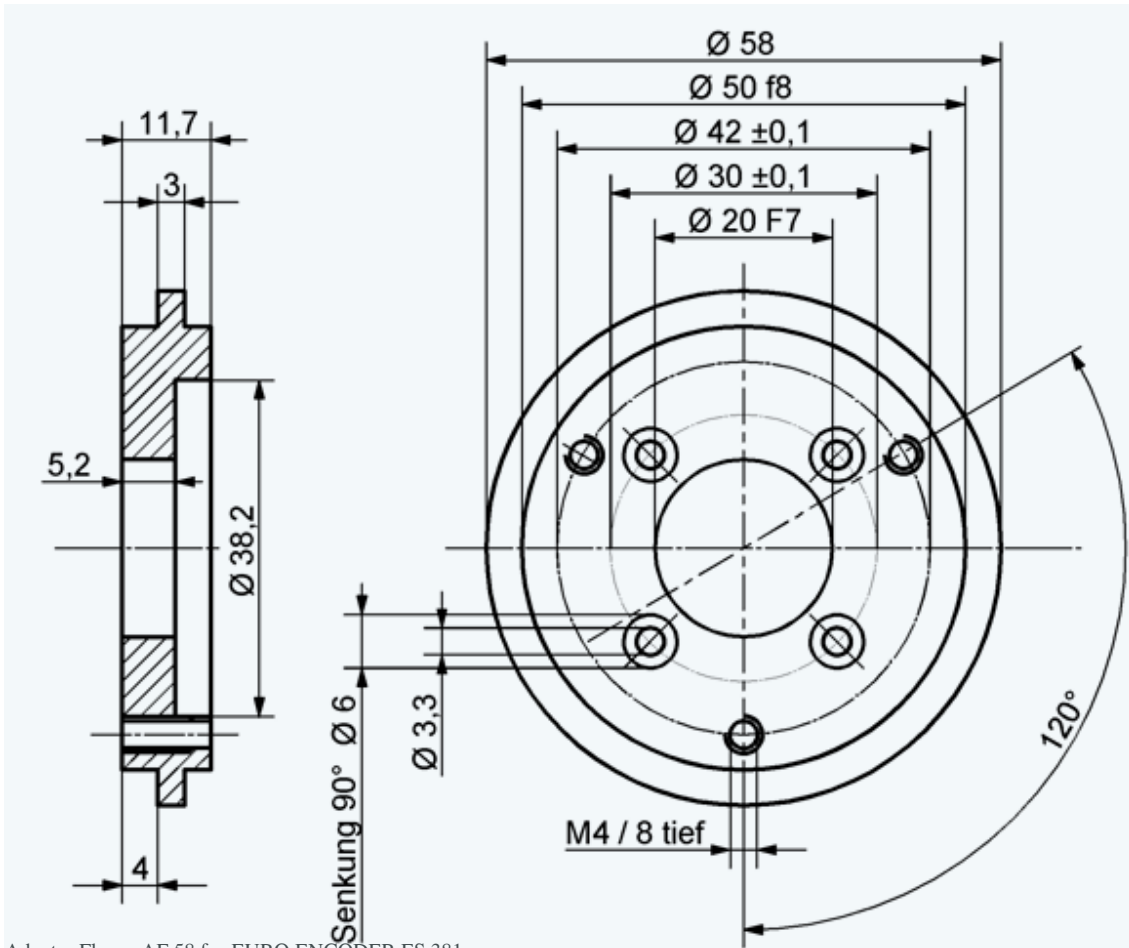


## Adapter flanges

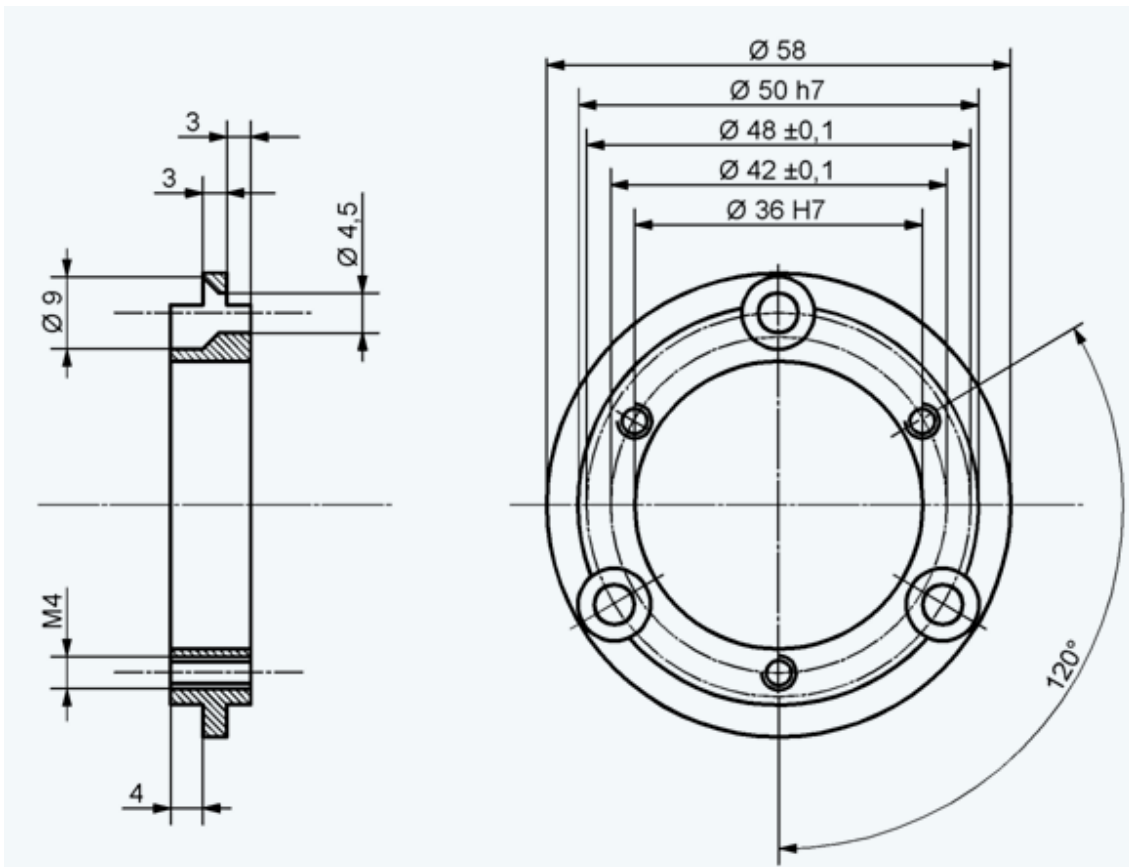
Adapter flanges are used to match the mounting dimensions of an encoder. By using an adapter flange the encoder can be used with systems which only offer mounting options for devices with other mounting dimensions.

Technical data

Outline drawing



Adapter Flange AF 58 for EURO ENCODER ES 381



Adapter Flange SR 58 for STANDARD ENCODER and ABSOLUT ENCODER with clamping flange

INDUcoder® · INDUcoder Messtechnik GmbH, Kaiserstraße 316, 47178 Duisburg, Deutschland  
Tel: (0203) 57047-0, Fax: (0203) 57047-20, E-Mail: [info@inducoder.de](mailto:info@inducoder.de), Internet: [www.inducoder.de](http://www.inducoder.de)