



Solid mechanical construction  
 Protection to IP 65, IP 66  
 SMD technology  
 Electronic preset



## Absolut No Shaft Encoder CAH 58 Parallel

Optical absolute encoder with hollow shaft, Single-turn of high resolution

### Resolution

#### Resolution (Steps/360°):

65536 = 16 bit                      8192 = 13 bit                      4096 = 12 bit

### Type explanation

#### CAH 58-8192G-30-P-SC16/Ø15

Encoder type	Absolute
Hollow shaft	Yes
Case diameter	ø 58 mm
Number of bits	65536 = 16 bits 8192 = 13 bits 4096 = 12 bits
Electronic adjustment	Yes
Supply voltage	30 = 10..30 VDC
Output driver	P
Position of connection	R S
Connector	C16 = 16 pins M23 C26 = 26 pins M27
Shaft diameter	ø 15 mm

## Technical data

### Mechanical data

Rotational speed	$\leq 12000 \text{ min}^{-1}$
Torque	$\leq 3 \text{ Ncm}$
Moment of inertia	$30 \text{ g cm}^2$
Loading of bearings	110 N radial 40 N axial
Operational life of ball bearings	$> 1 \times 10^5 \text{ h (1000 min}^{-1}\text{)}$
Weight	$\leq 0,4 \text{ kg}$

### Environmental conditions

Vibration	$100 \text{ m/s}^2 (10 \dots 1000 \text{ Hz})$
Shock	$300 \text{ m/s}^2 (11 \text{ ms})$
Operating temperature	$-40 \dots +85^\circ\text{C}$
Storage temperature	$-40 \dots +85^\circ\text{C}$
Atmospheric humidity	$\leq 98\% \text{ r.h.}$
Protection class	IP 65 (DIN 40050/IEC 144) IP 66 (optional)

### Electrical data

Scanning type	Optical, without contact
Transmitter, infrared	LED
Receiver	Photo-Array
Scanning frequency LSB	800 kHz
Measurement accuracy	$\pm 1/2 \text{ LSB (12 bit)}$ $\pm 1 \text{ LSB (13 bit)}$ $\pm 2 \text{ LSB (16 bit)}$
Supply voltage	$V_{cc} = 10 \dots 30 \text{ VDC}$
Power consumption	$\leq 100 \text{ mA (} V_{cc} = 24 \text{ V)}$
Output frequency	$\leq 100 \text{ kHz}$
Load capacity of the outputs	20 mA

### Electrical connections

#### Inputs

Rotational direction	CW/CCW
Electronic adjustment	RESET (optional)
Store (Binary code)	STORE

### Connector 16 pins M23

Connection	Signal
Pin 1	G 0 / 2 <sup>0</sup>
Pin 2	G 1 / 2 <sup>1</sup>
Pin 3	G 2 / 2 <sup>2</sup>
Pin 4	G 3 / 2 <sup>3</sup>
Pin 5	G 4 / 2 <sup>4</sup>
Pin 6	G 5 / 2 <sup>5</sup>
Pin 7	G 6 / 2 <sup>6</sup>
Pin 8	G 7 / 2 <sup>7</sup>
Pin 9	G 8 / 2 <sup>8</sup>
Pin 10	G 9 / 2 <sup>9</sup>
Pin 11	G 10 / 2 <sup>10</sup>
Pin 12	G 11 / 2 <sup>11</sup>
Pin 13	CW/CCW
Pin 14	G 12 / 2 <sup>12</sup> oder STORE <sup>1)</sup>
Pin 15	+Vcc
Pin 16	0 V GND

1) G12/2<sup>12</sup> bei 13 Bit, STORE bei Binär-Code, sonst N.C.

### Cable

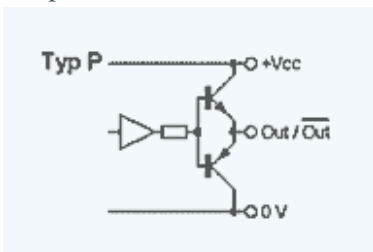
Wire colour	Signal
White	G 0 / 2 <sup>0</sup>
Brown	G 1 / 2 <sup>1</sup>
Green	G 2 / 2 <sup>2</sup>
Yellow	G 3 / 2 <sup>3</sup>
Grey	G 4 / 2 <sup>4</sup>
Pink	G 5 / 2 <sup>5</sup>
Blue	G 6 / 2 <sup>6</sup>
Red	G 7 / 2 <sup>7</sup>
Black	G 8 / 2 <sup>8</sup>
Violet	G 9 / 2 <sup>9</sup>
Grey/Pink	G 10 / 2 <sup>10</sup>
Red/Blue	G 11 / 2 <sup>11</sup>
White/Green	G 12 / 2 <sup>12</sup> <sup>1)</sup>
Brown/Green	G 13 / 2 <sup>13</sup> <sup>2)</sup>
White/Yellow	G 14 / 2 <sup>14</sup> <sup>2)</sup>
Yellow/Brown	G 15 / 2 <sup>15</sup> <sup>2)</sup>
Pink/Brown	Reset <sup>13)</sup>
White/Blue	CW/CCW
Brown/Blue	Store <sup>4)</sup>
White/Red	+Vcc
Brown/Red	0 V GND

1) nur bei CAH58-8192 und CAH58-65536 2) nur bei CAH58-65536

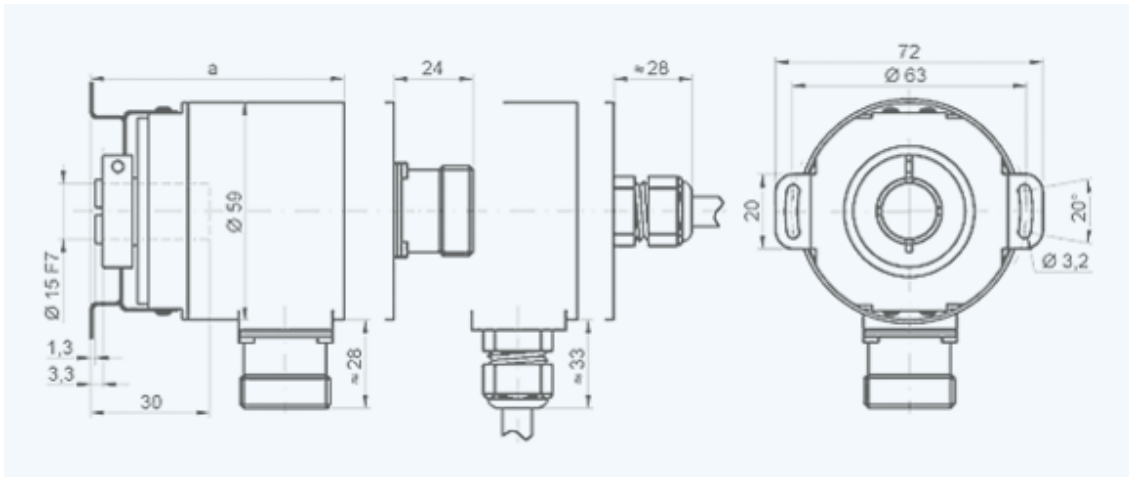
3) optional

4) nur bei Binär-Code

### Output driver



## Outline drawing



Version AE 674-411 · Subject to change

INDUcoder® · INDUcoder Messtechnik GmbH, Kaiserstraße 316, 47178 Duisburg, Deutschland  
Tel: (0203) 57047-0, Fax: (0203) 57047-20, E-Mail: [info@inducoder.de](mailto:info@inducoder.de), Internet: [www.inducoder.de](http://www.inducoder.de)