



- Solid mechanical construction
- Protection to IP 65, IP 66
- SMD technology
- Electronic preset
- Connection to fieldbus over suitable gateway



Absolut Manual Encoder MEA 70 Parallel

Manual pulse generator with magnetic click-stop with Absolute Encoder, Single-turn, Gray code or Binary code

Resolution

Resolution (Steps/360°):

4096 = 12 bit

8192 = 13 bit

65536 = 16 bit

Type explanation

MEA70 /EA58-8192G-30-P-SC16

Encoder type	Absolute
Case diameter	ø 58 mm
Number of bits	65536 = 16 bits
	8192 = 13 bits
	4096 = 12 bits
Electronic adjustment	Yes
Supply voltage	30 = 10..30 VDC
Output driver	P
Position of connection	R
	S
	C16 = 16 pins M23
Connector	C26 = 26 pins M27

Technical data

Mechanical data

Graduation	1 - 100
Torque	5 .. 20 Ncm
shaft loading	≤ 50 N radial ≤ 20 N axial
Operational life of ball bearings	> 6 x 10 ⁹ revolutions
Weight	≤ 1,1 kg

Environmental conditions

Vibration	100 m/s ² (10 ... 1000 Hz)
Shock	300 m/s ² (11 ms)
Operating temperature	-30 ... +70°C
Storage temperature	-40 ... +85°C
Atmospheric humidity	≤ 98% r.h.
Protection class	IP 65 (DIN 40050/IEC 144) IP 66 (optional)

Electrical data

Scanning type	Optical, without contact
Transmitter, infrared	LED
Receiver	Photo-Array
Scanning frequency LSB	800 kHz
Measurement accuracy	±½ LSB (12 bit) ± 1 LSB (13 bit) ± 2 LSB (16 bit)
Supply voltage	V _{cc} = 10...30 VDC
Power consumption	≤ 100 mA (V _{cc} = 24 V)
Scanning frequency	≤ 100 kHz
Load capacity of the outputs	20 mA

Electrical connections

Inputs

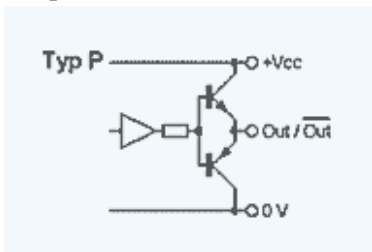
Date	Bit 0 ... Bit n
Rotational direction	CW/CCW
Electronic adjustment	RESET (optional)
Store (Binary code)	STORE

Cable

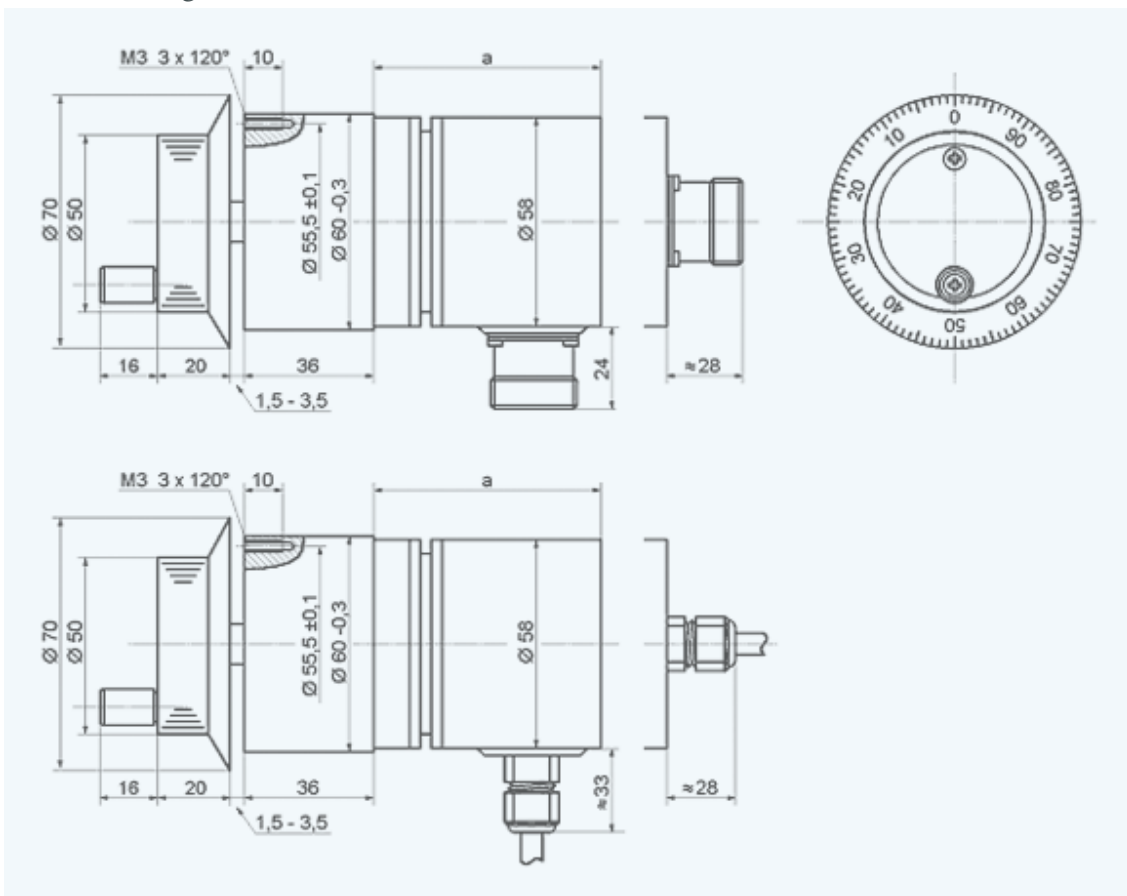
Wire colour	Signal
Pin 1	G 0 / 2 ⁰
Pin 2	G 1 / 2 ¹
Pin 3	G 2 / 2 ²
Pin 4	G 3 / 2 ³
Pin 5	G 4 / 2 ⁴
Pin 6	G 5 / 2 ⁵
Pin 7	G 6 / 2 ⁶
Pin 8	G 7 / 2 ⁷
Pin 9	G 8 / 2 ⁸
Pin 10	G 9 / 2 ⁹
Pin 11	G 10 / 2 ¹⁰
Pin 12	G 11 / 2 ¹¹
Pin 13	CW/CCW
Pin 14	G 12 / 2 ¹² oder STORE ¹⁾
Pin 15	+Vcc
Pin 16	0 V GND

1) G12/2¹² bei 13 Bit, STORE bei Binär-Code, sonst N.C.

Output driver



Outline drawing



INDUcoder® · INDUcoder Messtechnik GmbH, Kaiserstraße 316, 47178 Duisburg, Deutschland
Tel: (0203) 57047-0, Fax: (0203) 57047-20, E-Mail: info@inducoder.de, Internet: www.inducoder.de