



- Solid mechanical construction
- Protection to IP 65, IP 66
- SMD technology
- Electronic preset
- Programmable



Absolut Manual Encoder MEA 70 Ethernet Powerlink

Manual pulse generator with magnetic click-stop with programmable Absolute Encoder, Single-turn or Multi-turn

Resolution

Resolution (Steps/360°):

8192 = 13 bit 65536 = 16 bit

Measuring range

Measuring range

Single-Turn	1 turn
Multi-Turn	4096 Umdrehungen = 12 bit 16384 Umdrehungen = 14 bit

Type explanation

MEA70 EAM5824B-30-PL

Encoder type	Absolute
Case diameter	ø 58 mm
Number of bits	13 = 13 bits x 1 turn 16 = 16 bits x 1 turn 25 = 13 bits x 4096 turns 28 = 16 bits x 4096 turns 27 = 13 bits x 16384 turns 30 = 16 bits x 16384 turns
Single-turn	Yes
Multi-turn	Yes
Electronic adjustment	Yes
Supply voltage	30 = 10..30 VDC
Interface	PL = ETHERNET Powerlink

Technical data

Mechanical data

Graduation	1 - 100
Torque	5 .. 20 Ncm
shaft loading	≤ 50 N radial ≤ 20 N axial
Operational life of ball bearings	> 6 x 10 ⁹ revolutions
Weight	≤ 1,4 kg

Environmental conditions

Vibration	100 m/s ² (10 ... 1000 Hz)
Shock	300 m/s ² (11 ms)
Operating temperature	-0 ... +60°C
Storage temperature	-40 ... +85°C
Atmospheric humidity	≤ 98% r.h.
Protection class	IP 65 (DIN 40050/IEC 144) IP 66 (optional)

Electrical data

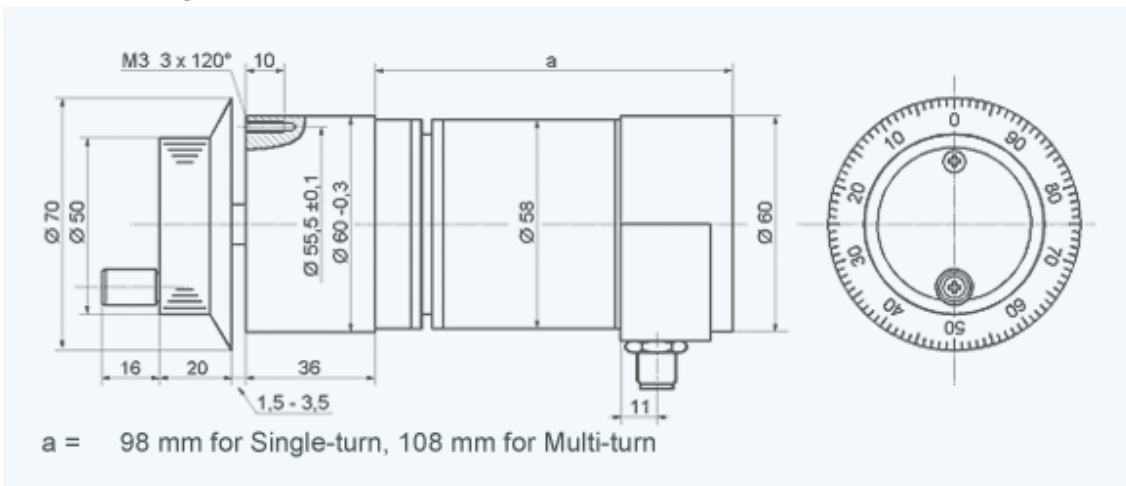
Scanning type	Optical, without contact
Transmitter, infrared	LED
Receiver	Photo-Array
Output frequency LSB	800 kHz
Measurement accuracy	± 1 LSB (13 bit) ± 2 LSB (16 bit)
Supply voltage	V _{cc} = 10...30 VDC
Power consumption	≤ 165 mA (V _{cc} = 24 V)

Electrical connections

ETHERNET Powerlink

Connector	1 x M12, 5 pins male for power supply 2 x M12, 4 pins female for Ethernet
Interface	ETHERNET Powerlink
Transfer rate	100 Mbit/sec.
Address range	TCP, HTTP, SMTP, FTP 192.168.100.1 .. 192.168.100.239

Outline drawing



INDUcoder® · INDUcoder Messtechnik GmbH, Kaiserstraße 316, 47178 Duisburg, Deutschland
Tel: (0203) 57047-0, Fax: (0203) 57047-20, E-Mail: info@inducoder.de, Internet: www.inducoder.de