

Very compact, easy to use, all fieldbus interfaces
 Stainless steel housing
 Flexible stainless steel cable Ø 0,5 mm
 Strong spring mechanics
 Precision cable drum



Robust Absolut Weggeber AWS 101

Robust Linear Motion Transducer with Standard Absolute Encoder, 2.500 mm range, Stainless steel housing Ø 100 x 180 mm, For operation at rough conditions, Optional air-cooling, electrical heating against condensing of humidity, Protection IP 67

Used encoder

Used encoder

Absolut Encoder EAM 57 / EAMS 57 SSI
 Absolut Encoder EAM 58 Interbus
 Absolut Encoder EAM 58 Profibus
 Absolut Encoder EAM 58 CANopen® / Device Net
 Absolut Encoder EAM 58 / EAMS 58 Ethernet Powerlink

Type explanation

AWS 101-25-10/EAM57-25B-30-D-SC12

Measuring range	25 = 2.500 mm
Robust Encoder	AWG101
Stainless steel housing	Yes
Encoder type	Absolute
Case diameter	Ø 100 mm
Number of bits	24 = 12 bits x 4096 turn 25 = 13 bits x 4096 turn
Supply voltage	30 = 10 .. 30 VDC
Interface	IBS = Interbus PB = Profibus CO = CANopen® DN = Device Net PL = ETHERNET Powerlink
Output driver	D-SSI
Position of connection	R S

Technical data

Mechanical data

Acceleration of cable	? 30 ms ⁻²
Side movement of cable	? 3°
Weight	ca. 5,5 kg (SSI, INTERBUS) ca. 6,5 kg (ETHERNET Powerlink, Profibus, CANopen®, Device Net)

Environmental conditions

Vibration	100 ms ⁻² (10 ... 1000 Hz)
Shock	300 ms ⁻² (12 ms)
Operating temperature	0 ... +85°C
Storage temperature	-40 ... +85°C
Atmospheric humidity	? 95% r.h.
Protection class	IP 67 (Encoder) IP 40 (Mechanic of Linear Motion Transducer)

Electrical data

Scanning type	Optical, without contact
Transmitter, infrared	LED
Receiver	Photo-Array
Scanning frequency LSB	800 kHz
Supply voltage	V _{cc} = 10...30 VDC
Power consumption	? 180 mA (V _{cc} = 24 V)

AWG options

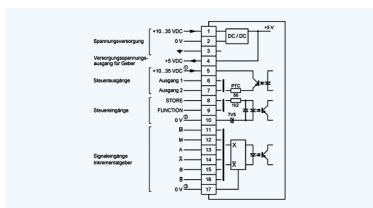
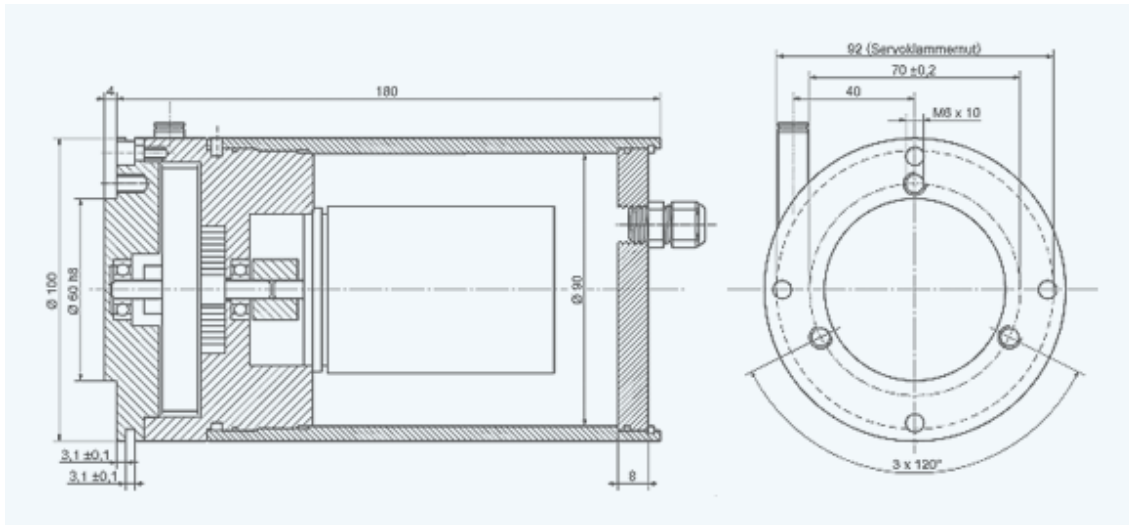
Electrical heating

Temperature control	Thermostat +5° / +15°C
Power consumption	18 W (12 V / 1,5 A) 72 W (24 V / 3,0 A)

Forced-air cooling

Pressure reducing valves	1 bar, input and output
--------------------------	-------------------------

Outline drawing



Version ZE 615-508 · Subject to change

[Go back](#)

INDUcoder® · INDUcoder Messtechnik GmbH, Kaiserstraße 316, 47178 Duisburg, Deutschland
Tel: (0203) 57047-0, Fax: (0203) 57047-20, E-Mail: info@inducoder.de, Internet: www.inducoder.de