

Very compact and simple low-cost type  
 Housing of extruded aluminium sheath  
 Flexible stainless steel cable Ø 1 or 1,2 mm  
 Strong spring mechanics  
 Precision cable drum



## Absolut Weggeber PLA 85 / PLA 115

Linear Motion Transducer up to 15.000 mm range, with STANDARD ABSOLUTE ENCODER

### Used encoder

#### Used encoder

Absolut Encoder EAM 57 / EAMS 57 SSI  
 Absolut Encoder EAM 58 Interbus  
 Absolut Encoder EAM 58 Profibus  
 Absolut Encoder EAM 58 CANopen® / Device Net  
 Absolut Encoder EAM 58 / EAMS 58 Ethernet Powerlink

### Type explanation

#### PLA 85-25-12/EAM57-25G-30-D-SC12

Measuring range	25 = 2.500 mm 50 = 5.000 mm 75 = 7.500 mm 100 = 10.000 mm 150 = 15.0000 mm
Encoder type	Absolute
Number of bits	24 = 12 bits x 4096 turn 25 = 13 bits x 4096 turn 28 = 16 bits x 4096 turn
Supply voltage	30 = 10 .. 30 VDC
Interface	IBS = Interbus PB = Profibus CO = CANopen® DN = Device Net PL = ETHERNET Powerlink
Output driver	D-SSI DI
Position of connection	R S
Connector	C12 = 12 pins M23

## Technical data

### Mechanical data

Acceleration of cable	? 30 ms <sup>-2</sup> (PLA115-100, PLA115-150) ? 50 ms <sup>-2</sup> (PLA85-25, PLA115-50) ? 60 ms <sup>-2</sup> (PLA115-75)
Side movement of cable	? 3°
Weight	? 1,7 kg (PLA 85) ? 2.1 .. 3,4 kg

### Environmental conditions

Vibration	100 ms <sup>-2</sup> (20 ... 2000 Hz)
Shock	200 ms <sup>-2</sup>
Operating temperature	0 ... +70°C
Storage temperature	-40 ... +85°C
Atmospheric humidity	? 98% r.h.
Protection class	IP 65 (Encoder) IP 40 (Mechanic of Linear Motion Transducer)

### Electrical data

Scanning type	Optical, without contact
Transmitter, infrared	LED
Receiver	Photo-Array
Scanning frequency LSB	800 kHz
Supply voltage	V <sub>cc</sub> = 10...30 VDC
Power consumption	? 180 mA (V <sub>cc</sub> = 24 V)

### Electrical connections

#### SSI

Interface	RS485 with optocoupler
Clock	max. 2 MHz

#### Profibus

Interface	RS485 with optocoupler
Clock	max. 12 MBaud

#### CANopenR

Interface	CAN Transceiver ISO/DIS 11898
Clock	20 kBaud .. 1 MBaud

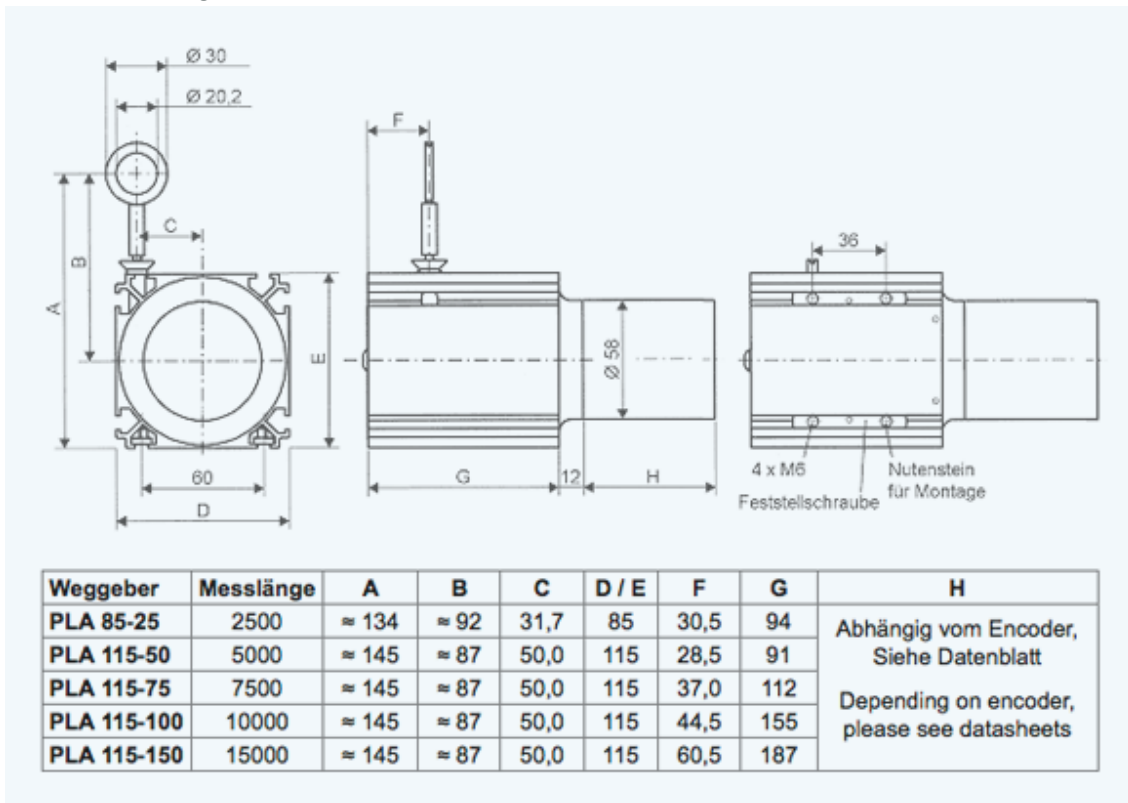
#### Device Net

Interface	CAN Transceiver ISO/DIS 11898
Clock	125, 250, 500 kBaud

#### Interbus

Interface	RS485 with optocoupler
Clock	max. 500 kBaud or 2 MBaud

## Outline drawing



Version ZE 611-411 · Subject to change

[Go back](#)

INDUcoder® · INDUcoder Messtechnik GmbH, Kaiserstraße 316, 47178 Duisburg, Deutschland  
 Tel: (0203) 57047-0, Fax: (0203) 57047-20, E-Mail: [info@inducoder.de](mailto:info@inducoder.de), Internet: [www.inducoder.de](http://www.inducoder.de)