



Manual Encoder MEE 70

Manual pulse generator with magnetic click-stop, resolution up to 3.600 pulses / revolution

Resolution

Resolution (Pulses/Revolution):

20	30	32	40
50	60	100	125
200	256	300	360
400	500	512	600
800	900	1000	1024
1200	1500	1800	2000
2048	2500	3600	

Type explanation

MEE70 /ES381-6-3600-05-D-S

Encoder type	Incremental
Flange diameter	∅ 60 mm
Case diameter	∅ 38 mm
Number of channels	3 = A + B + M 6 = AA + BB + MM
Resolutions	xxxx = Impulse pro Umdrehung
Supply voltage	05 = 5 VDC ± 5% 12 = 4,5 ... 13 VDC 24 = 10,8 ... 26 VDC
Output driver	D-RS422 C R P
Position of connection	S

Technical data

Mechanical data

Graduation	1 - 100
Torque	5 .. 20 Ncm
shaft loading	? 50 N radial ? 20 N axial
Operational life of ball bearings	> 6 x 10 ⁹ revolutions
Weight	? 0,8 kg

Environmental conditions

Vibration	150 ms ⁻² (50 Hz / 1h)
Shock	490 ms ⁻² (11 ms)
Operating temperature	-10 ... +70°C
Storage temperature	-30 ... +80°C
Atmospheric humidity	? 85% r.h.
Protection class	IP 50 (DIN 40050/IEC 144)

Electrical data

Scanning type	Optical, without contact
Transmitter, infrared	LED
Receiver	Photo-Transistor
Supply voltage	V _{cc} = 5 VDC ±5%, output D V _{cc} = 4,5 ... 13 VDC, output R, C V _{cc} = 10,8 ... 26 VDC, output C, P
Power consumption	? 80 mA, output C, R, P ? 150 mA, Output D
Output frequency	? 200 kHz
Signal level	High > V _{cc} - 1 V Low < 0,5 V (20 mA)
Load capacity of the outputs	20 mA
Dielectric strength of outputs	+ 50 V

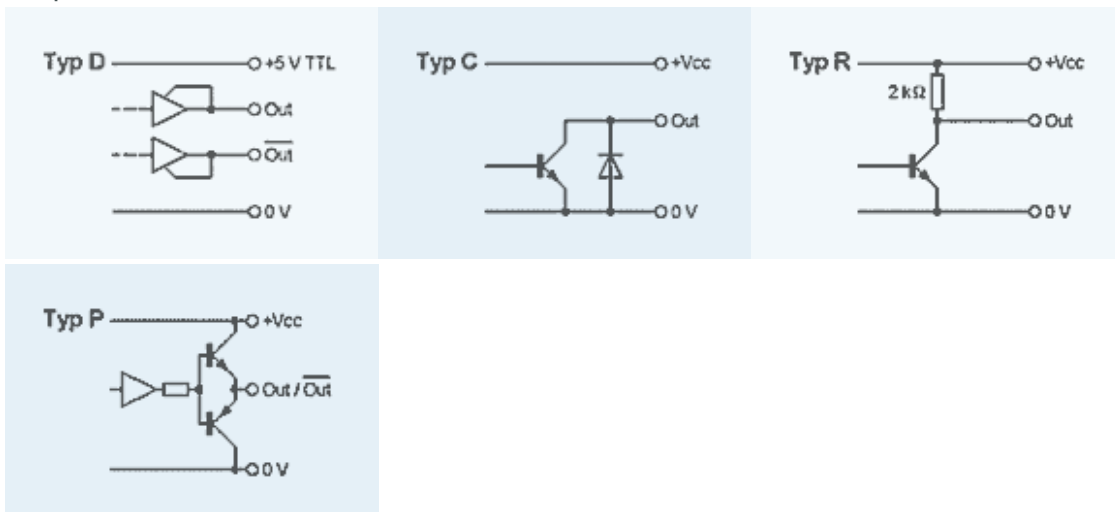
Cable 3 channels

Wire colour	Signal
Brown	+Vcc
Grey	0 V GND
Green	Signal A
White	Signal B
Yellow	Signal M
Shield	N.C.

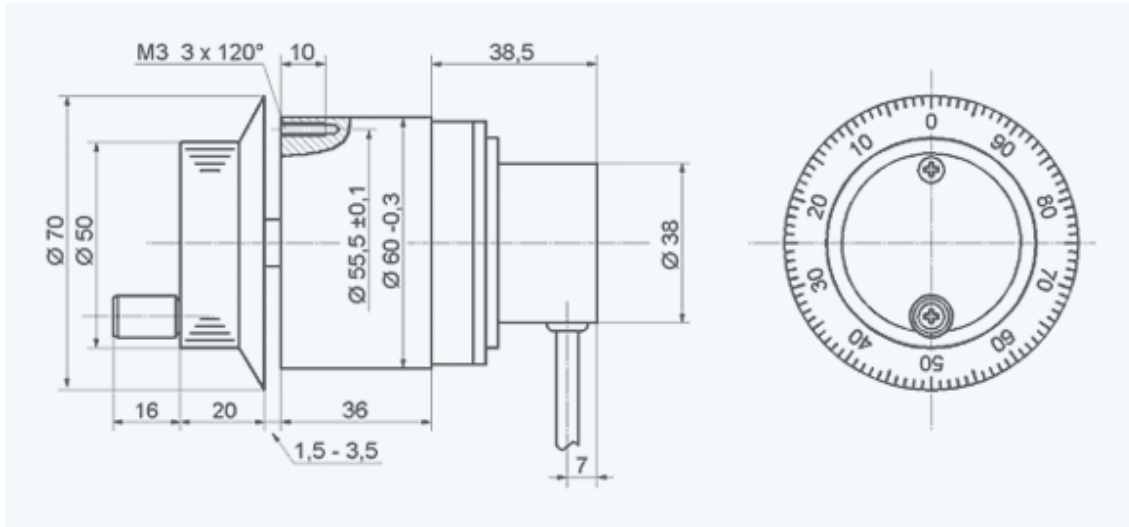
Cable 6 channels

Wire colour	Signal
Brown	+Vcc
Grey	0 V GND
Green	Signal A+
Grey	Signal A-
Yellow	Signal B+
Pink	Signal B-
Blue	Signal M+
Red	Signal M-
Shield	N.C.

Output driver



Outline drawing



Version ME 406-611 · Subject to change

[Go back](#)

INDUcoder® · INDUcoder Messtechnik GmbH, Kaiserstraße 316, 47178 Duisburg, Deutschland
Tel: (0203) 57047-0, Fax: (0203) 57047-20, E-Mail: info@inducoder.de, Internet: www.inducoder.de