



## Technical data

### Mechanical data

|                  |                           |
|------------------|---------------------------|
| Graduation       | 0 - 100                   |
| Rotational speed | ? 600 min <sup>-1</sup>   |
| Torque           | 3 ... 6 Ncm               |
| shaft loading    | 20 N radial<br>10 N axial |
| Weight           | 0,2 kg                    |

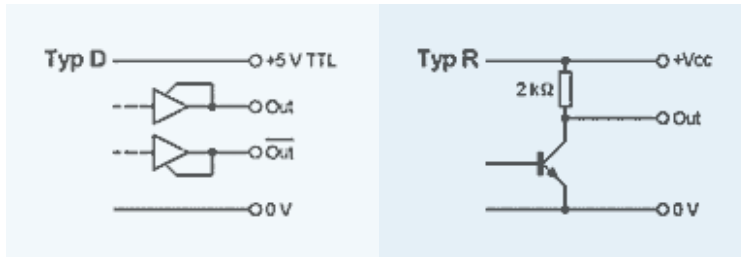
### Environmental conditions

|                       |                                   |
|-----------------------|-----------------------------------|
| Vibration             | 150 ms <sup>-2</sup> (55 Hz / 2h) |
| Shock                 | 490 ms <sup>-2</sup> (11 ms)      |
| Operating temperature | -10 ... +60°C                     |
| Storage temperature   | -20 ... +70°C                     |
| Atmospheric humidity  | ? 85% r.h.                        |

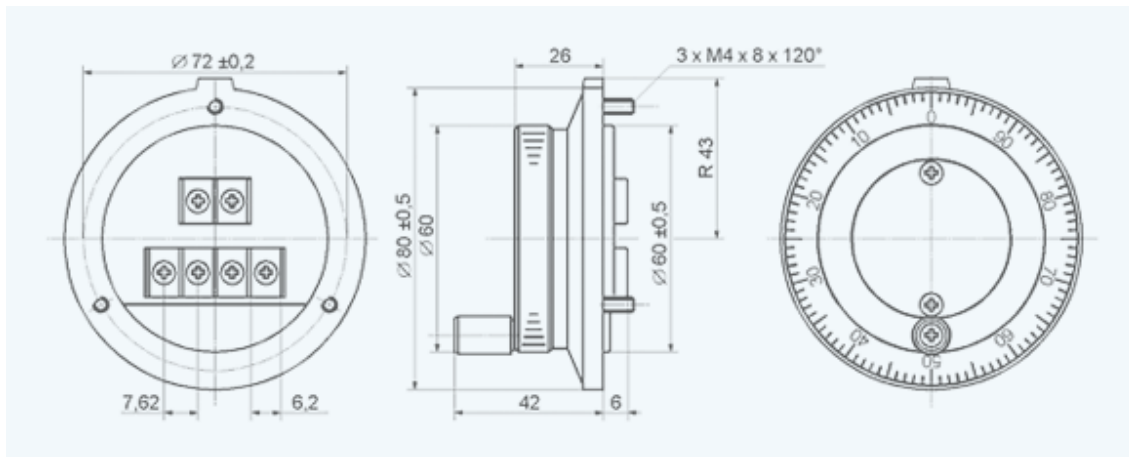
### Electrical data

|                              |   |
|------------------------------|---|
| Scanning type                | Optical, without contact  |
| Transmitter, infrared        | LED   |
| Receiver                     | Photo-Transistor  |
| Supply voltage               | V <sub>cc</sub> = 5 VDC ±5%, Output D<br>V <sub>cc</sub> = 5 ... 12 VDC, Output R |
| Power consumption            | 60 mA typ.  |
| Signal level                 | High > V <sub>cc</sub> -1 V<br>Low < 0,5 V (20 mA)                                |
| Load capacity of the outputs | 20 mA   |

## Output driver



## Outline drawing



Version E 511-907 · Subject to change

[Go back](#)

INDUcoder® · INDUcoder Messtechnik GmbH, Kaiserstraße 316, 47178 Duisburg, Deutschland  
Tel: (0203) 57047-0, Fax: (0203) 57047-20, E-Mail: [info@inducoder.de](mailto:info@inducoder.de), Internet: [www.inducoder.de](http://www.inducoder.de)